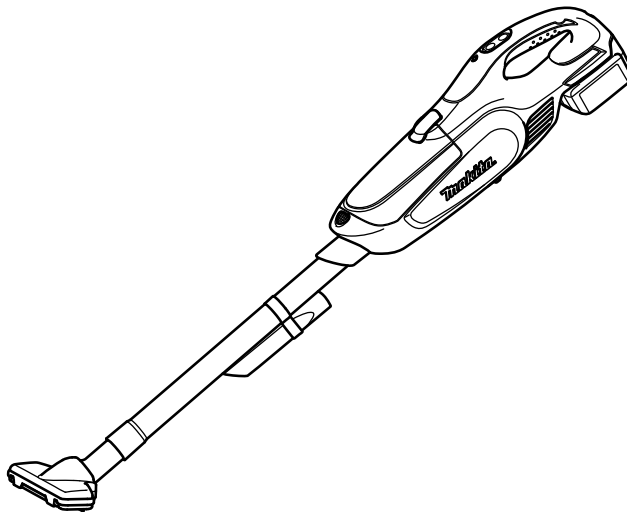
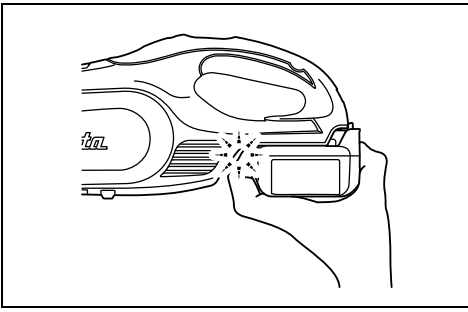




<b>GB</b> Cordless Cleaner	Instruction Manual
<b>F</b> Aspirateur sans fil	Manuel d'instructions
<b>D</b> Akku-Staubsauger	Betriebsanleitung
<b>I</b> Aspiratore a batteria	Istruzioni per l'uso
<b>NL</b> Accustofzuiger	Gebruiksaanwijzing
<b>E</b> Aspiradora Inalámbrica	Manual de instrucciones
<b>P</b> Aspirador de Pó a Bateria	Manual de instruções
<b>DK</b> Akku-støvsuger	Brugsanvisning
<b>GR</b> Ηλεκτρικό σκουπάκι μπαταρίας	Οδηγίες χρήσεως

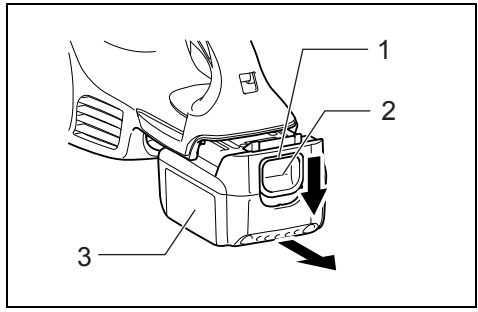
**DCL142**  
**DCL182**





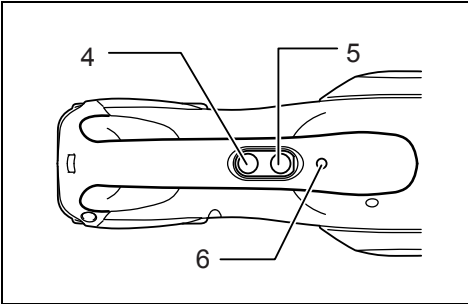
1

011539



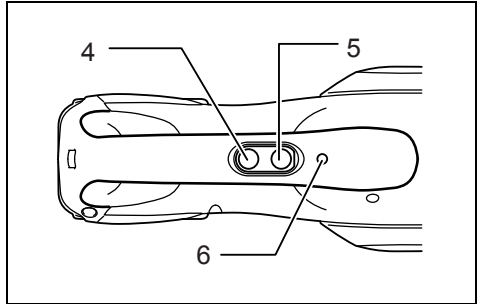
2

012129



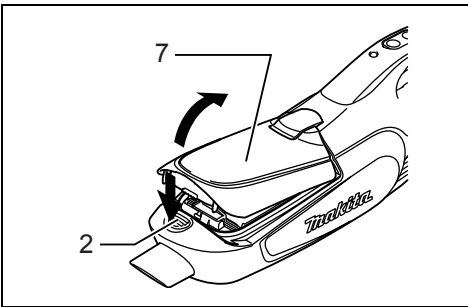
3

011542



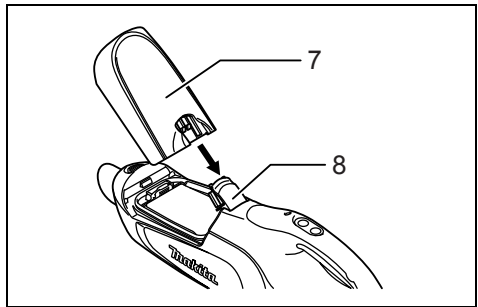
4

011542



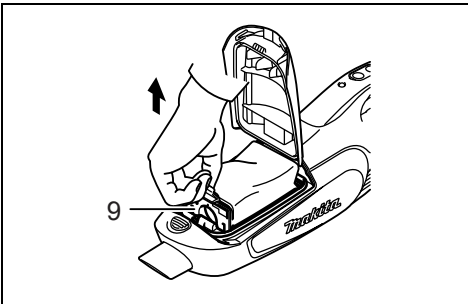
5

011551



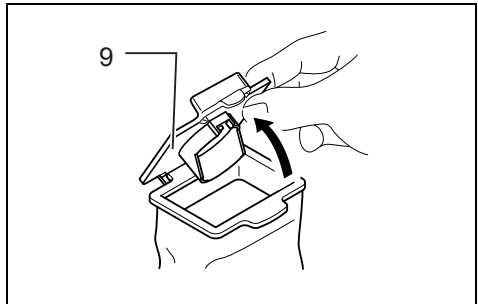
6

011553



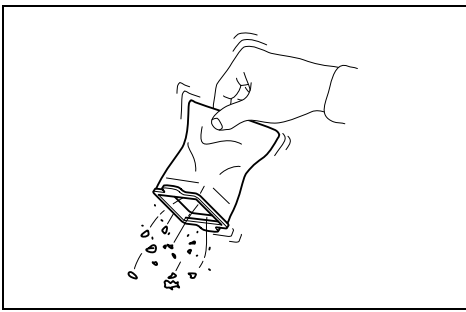
7

011552

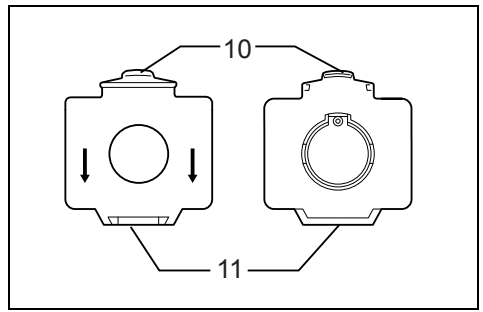


8

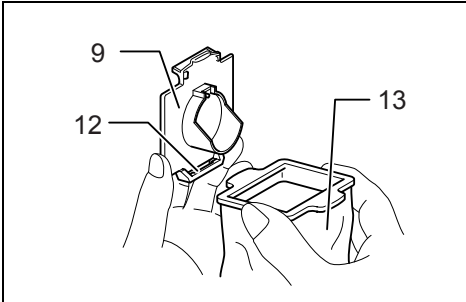
008920



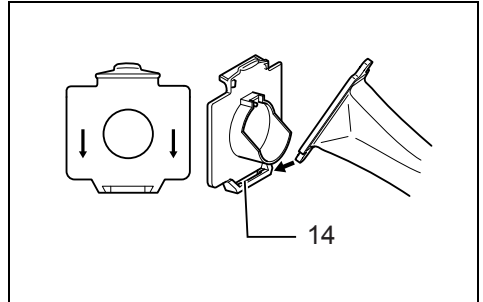
**9** 008921



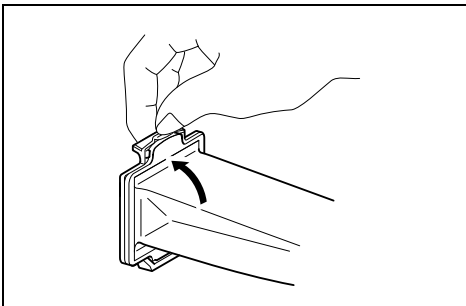
**10** 008930



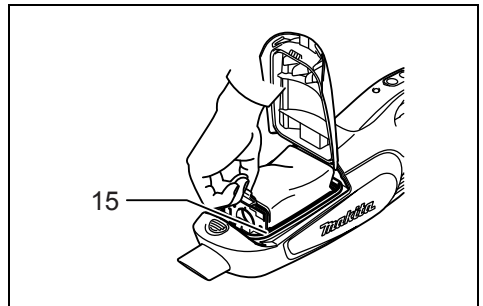
**11** 008935



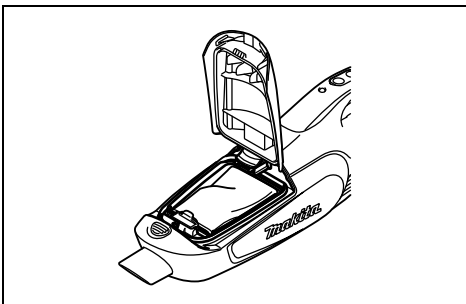
**12** 008932



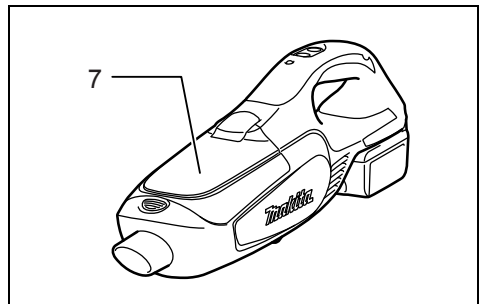
**13** 008933



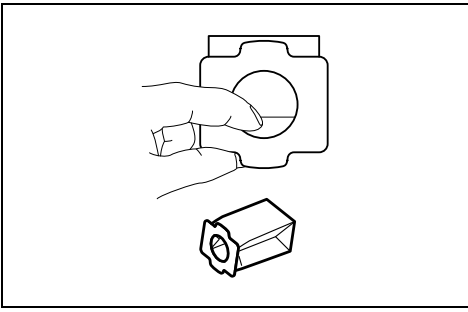
**14** 011559



**15** 011555

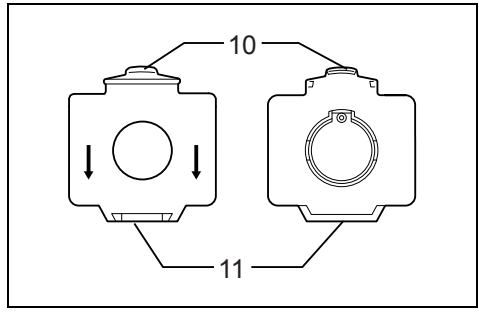


**16** 011541



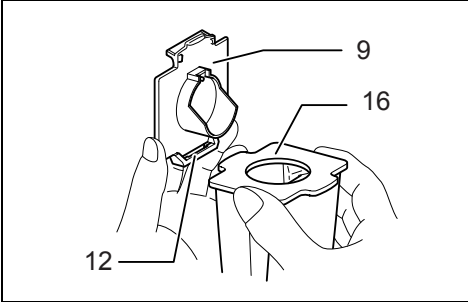
17

008928



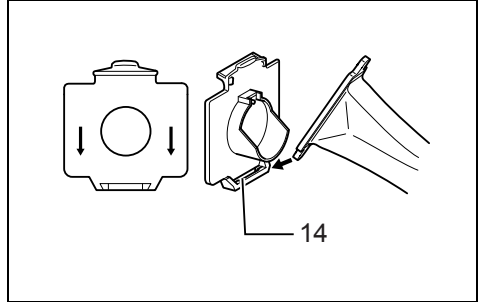
18

008930



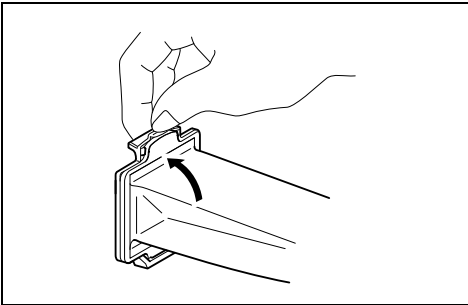
19

008931



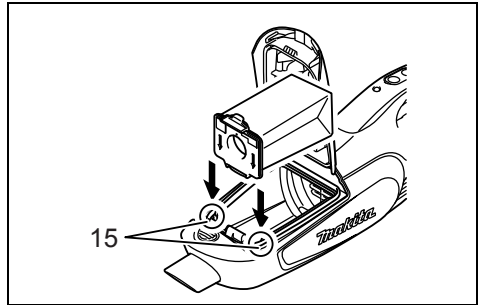
20

008932



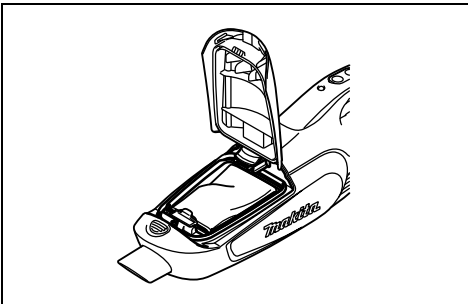
21

008933



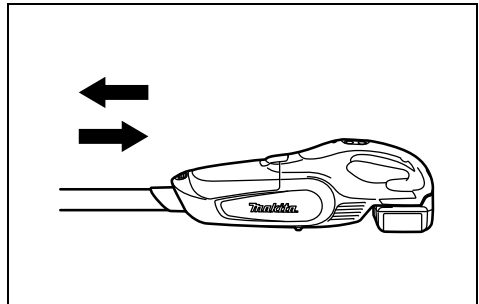
22

011554



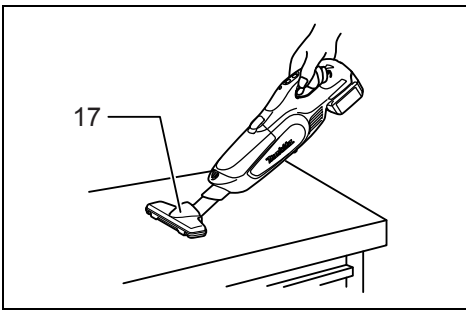
23

011555



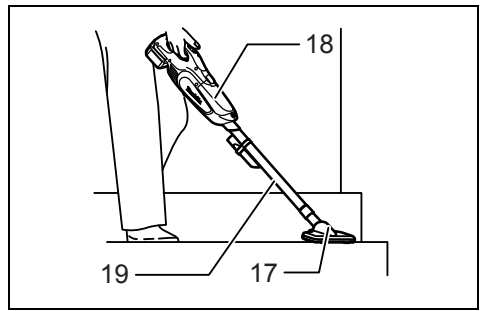
24

011543



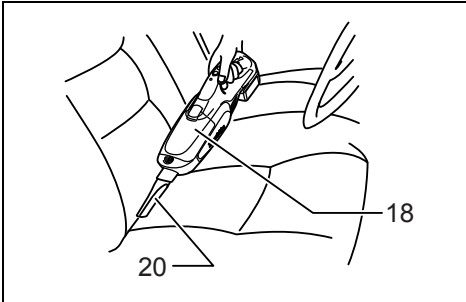
25

011544



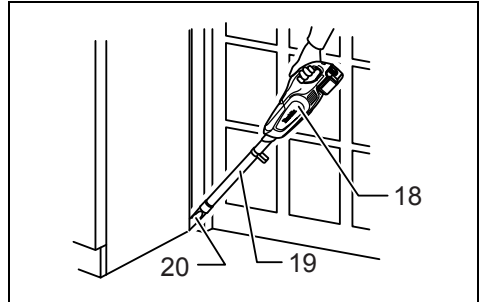
26

011545



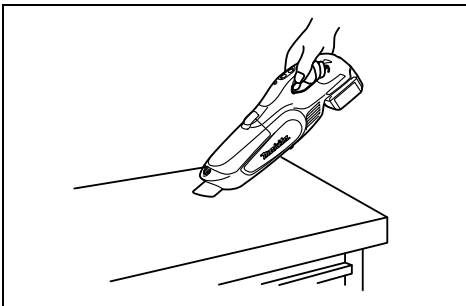
27

011546



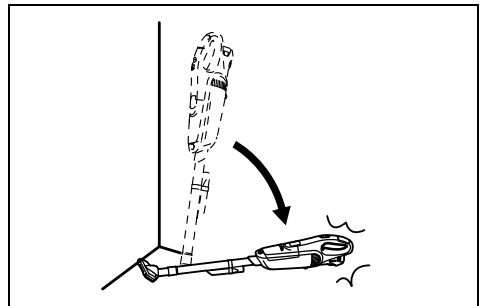
28

011547



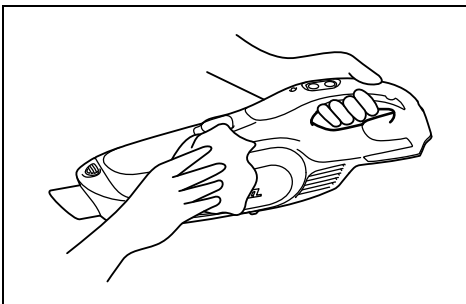
29

011555



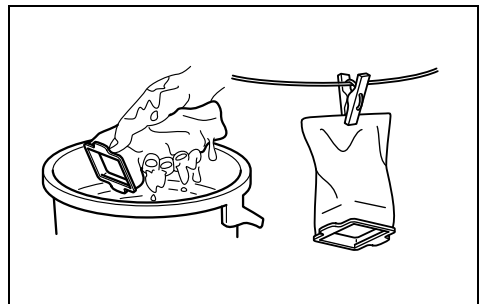
30

011549



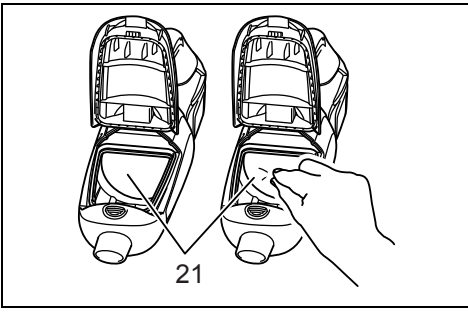
31

011550



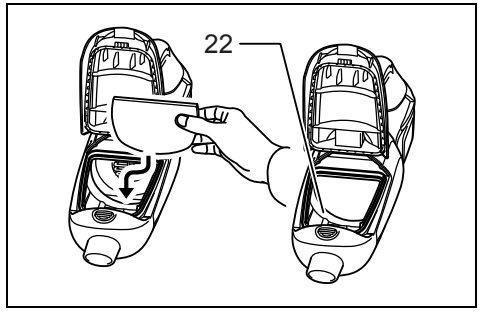
32

008934



33

011557



34

011556

**WARNING:** This appliance can be used by children aged from 8 years and above and persons with reduced physical, sensory or mental capabilities or lack of experience and knowledge if they have been given supervision or instruction concerning use of the appliance in a safe way and understand the hazards involved. Children shall not play with the appliance. Cleaning and user maintenance shall not be made by children without supervision.

**Explanation of general view**

1 Red indicator	9 Dust stopper	17 Nozzle
2 Button	10 Upper side of dust stopper	18 Cleaner body
3 Battery cartridge	11 Lower side of dust stopper	19 Extension wand
4 OFF button	12 Groove	20 Corner nozzle
5 HIGH/LOW button	13 Dust bag	21 Sponge filter
6 Battery power lamp	14 Lower groove	22 Recessed wall
7 Front cover	15 Cleaner cavity	
8 Front cover joint	16 Dust pack	

**SPECIFICATIONS**

Model		DCL142	DCL182
Capacity	with a dust bag	0.50 L	
	with a paper pack	0.33 L	
Continuous use	HIGH	Approx. 20 min.	
	LOW	Approx. 40 min.	
Overall length		986 mm	1,004 mm
Net weight		1.3 kg	
Rated voltage		D.C. 14.4 V	D.C. 18 V

- Due to our continuing program of research and development, the specifications herein are subject to change without notice.
- Specifications and battery cartridge may differ from country to country.
- Weight, with battery cartridge, according to EPTA-Procedure 01/2003

**Intended use**

The tool is intended for collecting dry dust.

ENE017-1

ENA005-4

**IMPORTANT**

**SAFETY INSTRUCTIONS**

When using an electrical appliance, basic precautions should always be followed, including the following:

**READ ALL INSTRUCTIONS BEFORE USING THIS APPLIANCE.**

**WARNING – To reduce the risk of fire, electric shock or injury:**

1. Do not expose to rain. Store indoors.

2. Do not allow to be used as a toy. Close attention is necessary when used by or near children.
3. Use only as described in this manual. Use only manufacturer's recommended attachments.
4. Do not use with damaged battery. If appliance is not working as it should, has been dropped, damaged, left outdoors, or dropped into water, return it to a service center.
5. Do not handle appliance with wet hands.
6. Do not put any object into openings. Do not use with any opening blocked; keep free of dust, lint, hair, and anything that may reduce air flow.
7. Keep hair, loose clothing, fingers, and all parts of body away from openings and moving parts.
8. Turn off all controls before removing the battery.
9. Use extra care when cleaning on stairs.
10. Do not use to pick up flammable or combustible liquids, such as gasoline, or use in areas where they may be present.
11. Use only the charger supplied by the manufacturer to recharge.
12. Do not pick up anything that is burning or smoking, such as cigarettes, matches, or hot ashes.
13. Do not use without filters in place.

14. Do not charge the battery outdoors.

## SAVE THESE INSTRUCTIONS.

This appliance is intended for household use.

ENB114-3

## ADDITIONAL SAFETY RULES

1. Read this instruction manual and the charger instruction manual carefully before use.
2. Do not pick up the following materials:
  - Hot materials such as lit cigarettes or spark/metal dust generated by grinding/cutting metal
  - Flammable materials such as gasoline, thinner, benzine, kerosene or paint
  - Explosive materials like nitroglycerin
  - Ignitable materials such as Aluminum, zinc, magnesium, titanium, phosphorus or celluloid
  - Wet dirt, water, oil or the like
  - Hard pieces with sharp edges, such as wood chips, metals, stones, glasses, nails, pins or razors
  - Powder to clot such as cement or toner
  - Conductive dust such as metal or carbon
  - Fine particle like concrete dust

Such action may cause fire, injury and/or property damage.

3. Stop operation immediately if you notice anything abnormal.
4. If you drop or strike the cleaner, check it carefully for cracks or damage before operation.
5. Do not bring close to stoves or other heat sources.
6. Do not block the intake hole or vent holes.

## SAVE THESE INSTRUCTIONS.

ENC007-8

## IMPORTANT SAFETY INSTRUCTIONS

### FOR BATTERY CARTRIDGE

1. Before using battery cartridge, read all instructions and cautionary markings on (1) battery charger, (2) battery, and (3) product using battery.
2. Do not disassemble battery cartridge.
3. If operating time has become excessively shorter, stop operating immediately. It may result in a risk of overheating, possible burns and even an explosion.
4. If electrolyte gets into your eyes, rinse them out with clear water and seek medical attention right away. It may result in loss of your eyesight.
5. Do not short the battery cartridge:
  - (1) Do not touch the terminals with any conductive material.
  - (2) Avoid storing battery cartridge in a container with other metal objects such as nails, coins, etc.
  - (3) Do not expose battery cartridge to water or rain.

A battery short can cause a large current flow, overheating, possible burns and even a breakdown.

6. Do not store the tool and battery cartridge in locations where the temperature may reach or exceed 50°C (122°F).
7. Do not incinerate the battery cartridge even if it is severely damaged or is completely worn out. The battery cartridge can explode in a fire.
8. Be careful not to drop or strike battery.
9. Do not use a damaged battery.
10. Follow your local regulations relating to disposal of battery.

## SAVE THESE INSTRUCTIONS.

### Tips for maintaining maximum battery life

1. Charge the battery cartridge before completely discharged.  
Always stop tool operation and charge the battery cartridge when you notice less tool power.
2. Never recharge a fully charged battery cartridge. Overcharging shortens the battery service life.
3. Charge the battery cartridge with room temperature at 10°C – 40°C (50°F – 104°F). Let a hot battery cartridge cool down before charging it.
4. Charge the battery cartridge once in every six months if you do not use it for a long period of time.

## FUNCTIONAL DESCRIPTION

### CAUTION:

- Always be sure that the tool is switched off and the battery cartridge is removed before adjusting or checking function on the tool.
- Take care not to trap finger(s) between cleaner and battery as shown in diagram when loading battery. Trapping finger(s) may cause injury. (Fig. 1)

### Installing or removing battery cartridge (Fig. 2)

### CAUTION:

- Always switch off the tool before installing or removing of the battery cartridge.
- Hold the tool and the battery cartridge firmly when installing or removing battery cartridge. Failure to hold the tool and the battery cartridge firmly may cause them to slip off your hands and result in damage to the tool and battery cartridge and a personal injury.

To remove the battery cartridge, slide it from the tool while sliding the button on the front of the cartridge.

To install the battery cartridge, align the tongue on the battery cartridge with the groove in the housing and slip it into place. Insert it all the way until it locks in place with a little click. If you can see the red indicator on the upper side of the button, it is not locked completely.

### CAUTION:

- Always install the battery cartridge fully until the red indicator cannot be seen. If not, it may accidentally fall out of the tool, causing injury to you or someone around you.
- Do not install the battery cartridge forcibly. If the cartridge does not slide in easily, it is not being inserted correctly.

### Battery protection system

The cleaner is equipped with the protection system, which automatically cuts off the output power for its long service life.

The cleaner stops during operation when the cleaner and/or battery are placed under the following situation.



This is caused by the activation of protection system and does not show the cleaner trouble.

- When the cleaner is overloaded:  
At this time, release the switch trigger and remove causes of overload and then pull the switch trigger again to restart.
- When the remaining battery capacity gets low:  
Recharge the battery cartridge.

### Switch action (Fig. 3)

To start the cleaner, simply press the "HIGH/LOW" button. To switch off, press the "OFF" button. To change the cleaner speed, press the "HIGH/LOW" button. The first press on this button is for high speed and the second press for low speed and then each press on this button repeats the high/low speed cycle alternatively.

### Battery power lamp (Fig. 4)

- When the remaining battery capacity gets low, the battery power lamp blinks.
- When the remaining battery capacity gets much lower, the tool stops during operation and the battery power lamp lights up for about ten seconds. At this time, remove the battery cartridge from the tool and charge it.

#### NOTE:

- The time at which the battery power lamp start blinking or lighting up depends on the temperature at work place and the battery cartridge conditions.

## ASSEMBLY

#### CAUTION:

- Always be sure that the tool is switched off and the battery cartridge is removed before carrying out any work on the tool.

### Disposing of Dust

#### CAUTION:

- Empty the cleaner before it becomes too full, or the suction force weakens.
  - Be sure to empty out the dust inside the cleaner itself. Failure to do so may cause the sponge filter to be clogged or the motor to be damaged.
  - Never throw away the dust stopper because it should be used whenever either the dust bag or the dust pack is used.
1. Push the button to open the front cover. Opening it until a click is heard allows a positive stop at that position. (Fig. 5)

#### NOTE:

- The cleaner is constructed in such a way that the front cover comes off when trying to force the front cover open at the angle of more than 90°. If the front cover comes off, insert it into the front cover joint in place. (Fig. 6)

#### CAUTION:

- When closing the front cover, be careful not to pinch your fingers.
2. Pull out both the orange-colored dust stopper and dust bag together at the same time. (Fig. 7)
  3. Remove the dust stopper and empty the cleaner. (Fig. 8 & 9)

### Dust bag and paper pack

Install either dust bag or paper pack before using cleaner.

Use the dust stopper when installing either dust bag or paper pack.

Dust bag is usable many times repeatedly by cleaning it out.

Paper pack is a throw-away type. Throw away the entire paper pack without emptying when it has become full.

### Installing dust bag

Use the dust stopper when installing dust bag. Be careful not to take the upper side for the lower side by mistake because they are different each other. (Fig. 10)

1. Insert the protrusion of the dust bag into the groove in the dust stopper as shown in the figure. (Fig. 11)
2. There is no distinction between the upper and lower sides of the dust bag. You may insert its protrusion of any side into the lower groove of the dust stopper. (Fig. 12)
3. Overlap the frame of dust stopper with that of the dust bag. (Fig. 13)
4. Place the dust stopper and the dust bag together into the cleaner cavity in the same direction of arrow on the dust stopper. Insert them all the way into the slots in the cleaner cavity. (Fig. 14)
5. Place the entire cloth part of the dust bag inside the tool itself. (Fig. 15)
6. Close the front cover completely. (Fig. 16)

### Installing the paper pack

1. Unfold the entrance of the paper pack before setting it on the dust stopper. (Fig. 17)

Use the dust stopper also when installing dust pack. Be careful not to take the upper side for the lower side by mistake because they are different each other. (Fig. 18)

2. Insert the protrusion of the dust pack into the groove in the dust stopper as shown in the figure. (Fig. 19)
3. There is no distinction between the upper and lower sides of the dust pack. You may insert its protrusion of any side into the lower groove of the dust stopper. (Fig. 20)
4. Overlap the frame of dust stopper with that of the dust pack. (Fig. 21)
5. Place the dust stopper and the dust pack together into the cleaner cavity in the same direction of arrow on the dust stopper. Insert them all the way into the slots in the cleaner cavity. (Fig. 22)
6. Place the entire container part of the dust pack inside the tool itself. (Fig. 23)
7. Close the front cover completely.

#### CAUTION:

- Forgetting to install the dust bag or the dust pack, failure to insert the dust stopper together with the dust bag or the dust pack all the way into the slots or using a broken or ripped bag, may allow dust to get into the motor. This may result in motor failure.
- Do not fold the cardboard at its opening when installing the paper pack.
- Never throw away the dust stopper because it need to be used repeatedly whenever either the dust bag or the dust pack is used.
- The paper pack for the cleaner is an important component for maintaining the tool performance. Using other than the genuine paper pack may cause smokes or ignition.

## OPERATION

### CAUTION:

- To connect attachments, such as nozzle, twist-insert attachment in direction of arrow to ensure secure connection during use. To disconnect attachment, twist-extract also in direction of arrow. (Fig. 24)

### Cleaning (Suction)

#### Nozzle (Fig. 25)

Attach the nozzle to clean off tables, desks, furniture, etc. Nozzle slips on easily.

#### Nozzle + Extension wand (Straight pipe) (Fig. 26)

The extension wand fits in between the nozzle and the cleaner itself. This arrangement is convenient for cleaning a floor while standing erect.

#### Corner nozzle (Fig. 27)

Fit on the corner nozzle for cleaning corners and crevices of a car or furniture.

#### Corner nozzle + Extension wand (Straight pipe) (Fig. 28)

In tight quarters where the cleaner itself cannot squeeze in, or in high places hard to reach, use this arrangement.

### Cleaning without nozzle (Fig. 29)

You can pick up powder and dust without nozzle.

## MAINTENANCE

### CAUTION:

- Always be sure that the tool is switched off before attempting to perform inspection or maintenance.

### After use

#### NOTE:

- Putting the cleaner against the wall without any other support cause the cleaner to fall down and be damaged. (Fig. 30)

### Things to Check Before Asking for Repairs

Symptom	Area to be investigated	Fixing method
Weak suction power	<ul style="list-style-type: none"><li>• Is dust bag or paper pack full of dust?</li><li>• Is dust bag clogged?</li><li>• Is paper pack clogged?</li><li>• Is battery cartridge exhausted?</li></ul>	<ul style="list-style-type: none"><li>• Empty dust bag or paper pack.</li><li>• Dust down or wash the dust bag.</li><li>• Replace paper pack.</li><li>• Charge the battery cartridge.</li></ul>
Not working	<ul style="list-style-type: none"><li>• Is battery cartridge exhausted?</li></ul>	<ul style="list-style-type: none"><li>• Charge the battery cartridge.</li></ul>

011566

### NOTE:

- Do not attempt to repair cleaner by yourself.

To maintain product SAFETY and RELIABILITY, repairs, any other maintenance or adjustment should be performed by Makita Authorized Service Centers, always using Makita replacement parts.

## OPTIONAL ACCESSORIES

### CAUTION:

- These accessories or attachments are recommended for use with your Makita cleaner specified in this manual. The use of any other accessories or attachments might present a risk of injury to persons. Only use accessory or attachment for its stated purpose.

## Cleaning

From time to time wipe off the outside (cleaner body) of the cleaner using a cloth dampened in soapy water. Clean out also the suction opening, dust bag/dust pack mounting area and the dust stopper. (Fig. 31)

### CAUTION:

- Never use gasoline, benzine, thinner, alcohol or the like. Discoloration, deformation or cracks may result.

Wash the dust bag in soapy water when it is clogged with dust and the cleaner power becomes small. Dry it out thoroughly before use. An insufficiently dried bag may cause poor suction and shorten the service life of the motor. (Fig. 32)

### NOTE:

- Dust pack is a throw-away type.

When the sponge filter is clogged with dust, remove it from the cleaner and then wipe it off or wash in water.

### Removing and installing the sponge filter (Fig. 33 & 34)

To remove the sponge filter, remove the dust bag or dust pack and then pinch and take it out. Press in the whole edge of the sponge filter against the recessed wall inside the dust bag/dust pack mounting area.

### CAUTION:

- After cleaning sponge filter, be sure to install it on the cleaner. If washed in water, dry it up before installing. An insufficiently dried sponge filter may shorten the service life of the motor.

If you need any assistance for more details regarding these accessories, ask your local Makita Service Center.

- Extension wand (Straight pipe)
- Nozzle
- Nozzle for carpet
- Shelf brush
- Corner nozzle
- Round brush
- Flexible hose
- Paper pack
- Makita genuine battery and charger

### NOTE:

- Some items in the list may be included in the tool package as standard accessories. They may differ from country to country.

**AVERTISSEMENT** : Cet appareil peut être utilisé par des enfants de 8 ans et plus, ainsi que par des personnes présentant des capacités physiques, sensorielles ou mentales réduites, ou par des personnes dénuées d'expérience et de connaissances s'ils ont pu faire l'objet d'une surveillance ou recevoir des instructions préalables concernant l'utilisation en toute sécurité de l'appareil et s'ils comprennent les risques associés. Ne laissez pas les enfants jouer avec l'appareil. Le nettoyage et l'entretien à la charge de l'utilisateur ne doivent pas être réalisés par des enfants sans surveillance.

**Descriptif**

1	Témoin rouge	9	Écran antipoussières	16	Ensemble antipoussières
2	Bouton	10	Face supérieure de l'écran antipoussières	17	Raccord
3	Batterie			18	Aspirateur
4	Bouton OFF	11	Face inférieure de l'écran antipoussières	19	Tube prolongateur
5	Bouton HIGH/LOW			20	Raccord pour coin
6	Témoin d'alimentation de la batterie	12	Rainure	21	Filtre-éponge
7	Couvercle avant	13	Sac à poussières	22	Paroi encastrée
8	Raccord de couvercle avant	14	Rainure inférieure		
		15	Cavité de l'aspirateur		

**SPÉCIFICATIONS**

Modèle		DCL142	DCL182
Capacité	avec un sac à poussières	0,50 L	
	avec un ensemble papier	0,33 L	
Utilisation continue	HIGH	Environ 20 min.	
	LOW	Environ 40 min.	
Longueur totale		986 mm	1 004 mm
Poids net		1,3 kg	
Tension nominale		C.c. 14,4 V	C.c. 18 V

- En raison de notre programme continu de recherche et de développement, les présentes spécifications sont sujettes à modification sans préavis.
- Les spécifications et la batterie peuvent être différentes suivant les pays.
- Poids, avec la batterie, conformément à la procédure EPTA-01/2003

ENE017-1

**Usage**

L'outil est conçu pour la collecte des poussières sèches.

ENA005-4

**IMPORTANT**

**CONSIGNES DE SÉCURITÉ**

Lors de l'utilisation d'un appareil électrique, certaines précautions élémentaires s'imposent en tout temps, dont les suivantes.

**LIRE TOUTES LES INSTRUCTIONS AVANT D'UTILISER CET APPAREIL.**

**AVERTISSEMENT – Pour réduire les risques d'incendie, de choc électrique et de blessure :**

1. Ne pas exposer à la pluie. Ranger à l'intérieur.
2. Ne pas laisser utiliser comme jouet. Une surveillance étroite est requise lors de l'utilisation par un enfant ou près d'un enfant.
3. Utiliser uniquement de la façon décrite dans ce manuel. Utiliser uniquement les accessoires recommandés par le fabricant.
4. Ne pas utiliser avec une batterie endommagée. Si l'appareil ne fonctionne pas comme il devrait, s'il a été échappé, endommagé, laissé à l'extérieur ou échappé dans l'eau, le renvoyer à un centre de service après-vente.
5. Ne pas manipuler l'appareil avec les mains mouillées.

6. N'insérer aucun objet dans les ouvertures. Ne pas utiliser si l'une des ouvertures est bloquée ; toujours enlever les poussières, charpies, cheveux et autres corps étrangers pouvant affecter la circulation de l'air.
7. Garder les cheveux, vêtements amples, doigts et toute autre partie du corps à l'écart des ouvertures et des pièces en mouvement.
8. Désactiver toutes les commandes avant de retirer la batterie.
9. Être tout particulièrement prudent lorsque l'on passe l'aspirateur dans un escalier.
10. Ne pas utiliser pour collecter des liquides inflammables ou combustibles tels que l'essence, ou dans des zones où de tels liquides peuvent être présents.
11. Pour charger la batterie, utiliser uniquement le chargeur fourni par le fabricant.
12. Ne collecter aucune substance enflammée ou qui dégage de la fumée, telles que cigarettes, allumettes ou cendres chaudes.
13. Ne pas utiliser sans avoir posé les filtres.
14. Ne pas charger la batterie à l'extérieur.

### CONSERVER CES INSTRUCTIONS.

Cet appareil est conçu pour l'utilisation à l'intérieur.

ENB114-3

### CONSIGNES DE SÉCURITÉ ADDITIONNELLES

1. Lire attentivement ce manuel d'instructions et celui du chargeur avant l'utilisation.
2. Ne pas collecter les matériaux suivants :
  - Matériaux chauds tels que cigarettes allumées, étincelles ou poussières de métal générées par le meulage ou la coupe du métal
  - Matériaux inflammables tels que l'essence, les diluants, la benzine, le kérosène et la peinture
  - Matériaux explosifs tels que la nitroglycérine
  - Matériaux inflammables tels que l'aluminium, le zinc, le magnésium, le titane, le phosphore et le celluloid
  - Saletés mouillées, eau, huile, etc.
  - Pièces dures à bords tranchants, telles que copeaux de bois, pièces de métal, pierres, verres, clous, broches et lames de rasoir
  - Poudres telles que ciment en poudre ou encre en poudre
  - Poussière conductrice telle que poussière de métal ou de carbone
  - Particules fines telles que la poussière de ciment

La collecte de tels matériaux peut causer un incendie, une blessure ou des dommages à la propriété.
3. Cesser immédiatement l'utilisation en cas d'anomalie.
4. Si l'aspirateur est échappé ou heurté, vérifier attentivement l'absence de fissures ou de dommages avant l'utilisation.
5. Ne pas approcher des fourneaux ou autres sources de chaleur.

6. Ne pas bloquer les orifices d'entrée ou de sortie d'air.

### CONSERVER CES INSTRUCTIONS.

ENC007-8

### CONSIGNES DE SÉCURITÉ IMPORTANTES

#### POUR LA BATTERIE

1. Avant d'utiliser la batterie, lisez toutes les instructions et précautions relatives (1) au chargeur de batterie, (2) à la batterie, et (3) à l'outil utilisant la batterie.
2. Ne démontez pas la batterie.
3. Cessez immédiatement l'utilisation si le temps de fonctionnement devient excessivement court. Il y a risque de surchauffe, de brûlures, voire d'explosion.
4. Si l'électrolyte pénètre dans vos yeux, rincez-les à l'eau claire et consultez immédiatement un médecin. Il y a risque de perte de la vue.
5. Ne court-circuitez pas la batterie :
  - (1) Ne touchez les bornes avec aucun matériau conducteur.
  - (2) Évitez de ranger la batterie dans un conteneur avec d'autres objets métalliques, par exemple des clous, des pièces de monnaie, etc.
  - (3) N'exposez pas la batterie à l'eau ou à la pluie. Un court-circuit de la batterie pourrait provoquer un fort courant, une surchauffe, parfois des brûlures et même une panne.
6. Ne rangez pas l'outil ou la batterie dans des endroits où la température risque d'atteindre ou de dépasser 50°C.
7. Ne jetez pas la batterie au feu même si elle est sérieusement endommagée ou complètement épuisée. La batterie peut exploser au contact du feu.
8. Prenez garde d'échapper ou de heurter la batterie.
9. N'utilisez pas la batterie si elle est abîmée.
10. La batterie doit être éliminée conformément aux réglementations locales en vigueur.

### CONSERVEZ CES INSTRUCTIONS.

Conseils pour assurer la durée de vie optimale de la batterie

1. Rechargez la batterie avant qu'elle ne soit complètement déchargée. Arrêtez toujours l'outil et rechargez la batterie quand vous remarquez que la puissance de l'outil diminue.
2. Ne rechargez jamais une batterie complètement chargée. La surcharge réduit la durée de service de la batterie.
3. Chargez la batterie alors que la température de la pièce se trouve entre 10°C et 40°C. Avant de charger une batterie chaude, laissez-la refroidir.
4. Chargez la batterie tous les six mois si elle reste inutilisée pendant une période prolongée.

## DESCRIPTION DU FONCTIONNEMENT

### ATTENTION :

- Assurez-vous toujours que l'outil est hors tension et que sa batterie est retirée avant de l'ajuster ou de vérifier son fonctionnement.
- Lors de la mise en place de la batterie, prenez garde de ne pas se coincer les doigts entre l'aspirateur et la batterie, tel qu'illustré sur le schéma. Il y a un risque de blessure en se coincant les doigts. (Fig. 1)

### Installation ou retrait de la batterie (Fig. 2)

#### ATTENTION :

- Mettez toujours l'outil hors tension avant d'installer ou de retirer la batterie.
- **Lorsque vous posez ou retirez la batterie, tenez fermement l'outil et la batterie.** Si vous ne tenez pas fermement l'outil et la batterie, ils risquent de s'abîmer en vous glissant des mains, et vous courez un risque de blessure corporelle.

Pour retirer la batterie, faites-la glisser de l'outil tout en faisant glisser le bouton à l'avant de la batterie.

Pour installer la batterie, alignez la languette de la batterie avec la rainure située dans le carter, puis faites-la glisser en place. Insérez-la à fond, jusqu'à ce qu'elle se mette en place avec un léger déclic. Si le témoin rouge est visible sur la face supérieure du bouton, cela signifie que la batterie n'est pas parfaitement verrouillée.

#### ATTENTION :

- Insérez toujours la batterie à fond, jusqu'à ce que le témoin rouge ne soit plus visible. Sinon, elle pourrait tomber accidentellement de l'outil, au risque de vous blesser ou de blesser quelqu'un se trouvant près de vous.
- Ne forcez pas pour insérer la batterie. Si la batterie ne glisse pas aisément, c'est qu'elle n'est pas insérée correctement.

### Circuit de protection de la batterie

L'aspirateur est doté d'un circuit de protection qui coupe automatiquement l'alimentation afin d'assurer une longue durée de service.

Il se peut que l'aspirateur s'arrête pendant l'utilisation lorsque l'aspirateur ou la batterie se trouve dans la situation suivante. Cet arrêt est causé par l'activation du circuit de protection et n'indique aucun dysfonctionnement.

- Lorsque l'aspirateur est surchargé :  
Libérez alors la gâchette, éliminez la cause de la surcharge puis appuyez de nouveau sur la gâchette pour redémarrer.
- Lorsque la batterie est faible :  
Rechargez la batterie.

### Interrupteur (Fig. 3)

Pour faire démarrer l'aspirateur, appuyez simplement sur le bouton "HIGH/LOW". Pour l'éteindre, appuyez sur le bouton "OFF". Pour modifier la puissance de l'aspirateur, appuyez sur le bouton "HIGH/LOW". La première pression sur ce bouton est pour la puissance élevée, et la deuxième pour la basse puissance ; chaque nouvelle pression sur ce bouton répète l'alternance du cycle de puissance élevée/basse.

### Témoin d'alimentation de la batterie (Fig. 4)

- Lorsque la charge restante de la batterie devient basse, le témoin d'alimentation de la batterie clignote.

- Lorsque la charge restante de la batterie devient encore plus basse, l'outil s'arrête pendant l'utilisation et le témoin d'alimentation de la batterie s'allume pendant environ dix secondes. Retirez alors la batterie de l'outil et chargez-la.

#### NOTE :

- Le moment où le témoin d'alimentation de la batterie se met à clignoter ou s'allume varie suivant la température du lieu de travail et l'état de la batterie.

## ASSEMBLAGE

#### ATTENTION :

- Assurez-vous toujours que l'outil est hors tension et que sa batterie est retirée avant d'effectuer tout travail dessus.

### Mise au rebut des poussières

#### ATTENTION :

- Vider l'aspirateur avant qu'il ne soit trop plein, autrement sa puissance d'aspiration sera moindre.
- Pensez à enlever les poussières à l'intérieur de l'aspirateur lui-même. Autrement les poussières risquent de boucher le filtre-éponge ou d'abîmer le moteur.
- Ne jetez pas l'écran antipoussières, car vous devez l'utiliser chaque fois que vous utilisez le sac à poussières ou l'ensemble antipoussières.

1. Appuyez sur le bouton pour ouvrir le couvercle avant. Ouvrez-le jusqu'à ce qu'il émette un léger bruit sec pour le verrouiller en position ouverte. (Fig. 5)

#### NOTE :

- L'aspirateur est conçu de telle sorte que le couvercle avant se détache lorsqu'on le force à s'ouvrir avec un angle supérieur à 90°. Si le couvercle avant se détache, remettez-le en place en l'insérant dans le raccord de couvercle avant. (Fig. 6)

#### ATTENTION :

- Prenez garde de vous pincer les doigts en fermant le couvercle avant.
2. Tirez en même temps sur l'écran antipoussières orange et sur le sac à poussières pour les retirer. (Fig. 7)
  3. Retirer l'écran antipoussières et vider l'aspirateur. (Fig. 8 et 9)

### Sac à poussières et ensemble papier

Installer le sac à poussières ou l'ensemble papier avant d'utiliser l'aspirateur.

Utiliser l'écran antipoussières lors de l'installation du sac à poussières ou de l'ensemble papier.

Il est possible de réutiliser plusieurs fois de suite le sac à poussières en le vidant.

L'ensemble papier est de type jetable. Lorsqu'il est plein, le jeter tel quel, sans le vider.

### Installation du sac à poussières

Utiliser l'écran antipoussières lors de l'installation du sac à poussières. Éviter d'inverser les faces supérieure et inférieure de l'écran antipoussières, car elles sont différentes. (Fig. 10)

1. Insérer la partie saillante du sac à poussières dans la rainure de l'écran antipoussières, tel qu'illustré. (Fig. 11)

2. Les faces supérieure et inférieure du sac à poussières sont identiques. Il est possible d'insérer la partie saillante d'une face comme de l'autre dans la rainure inférieure de l'écran antipoussières. (Fig. 12)
3. Superposer le cadre de l'écran antipoussières et celui du sac à poussières. (Fig. 13)
4. Placer l'écran antipoussières et le sac à poussières ensemble dans la cavité de l'aspirateur, dans le même sens que la flèche qui se trouve sur l'écran antipoussières. Les insérer à fond dans les fentes de la cavité de l'aspirateur. (Fig. 14)
5. Placer tout le sac à poussières à l'intérieur de l'outil. (Fig. 15)
6. Fermez complètement le couvercle avant. (Fig. 16)

### Installation de l'ensemble papier

1. Déplier l'ouverture de l'ensemble papier avant de le poser sur l'écran antipoussières. (Fig. 17)  
Utilisez aussi l'écran antipoussières lorsque vous installez l'ensemble antipoussières. Prenez garde d'inverser les faces supérieure et inférieure, car elles sont différentes. (Fig. 18)
2. Insérez la partie saillante de l'ensemble antipoussières dans la rainure de l'écran antipoussières, tel qu'illustré. (Fig. 19)
3. Les faces supérieure et inférieure de l'ensemble antipoussières sont identiques. Vous pouvez insérer la partie saillante de l'une ou l'autre dans la rainure inférieure de l'écran antipoussières. (Fig. 20)
4. Faites chevaucher le cadre de l'écran antipoussières et celui de l'ensemble antipoussières. (Fig. 21)
5. Mettez l'écran antipoussières et l'ensemble antipoussières ensemble dans la cavité de l'aspirateur, dans le sens indiqué par la flèche de l'écran antipoussières. Insérez-les à fond dans les fentes de la cavité de l'aspirateur. (Fig. 22)
6. Mettez tout le contenant de l'ensemble antipoussières à l'intérieur de l'outil lui-même. (Fig. 23)
7. Fermez complètement le couvercle avant.

### ATTENTION :

- Les poussières risqueront de pénétrer dans le moteur si vous oubliez d'installer le sac à poussières ou l'ensemble antipoussières, si vous n'insérez pas ensemble l'écran antipoussières et le sac à poussières ou l'ensemble antipoussières à fond dans les fentes, ou si vous utilisez un sac abîmé ou déchiré. Cela risque de causer une panne du moteur.
- En installant l'ensemble papier, ne pliez pas le carton à l'emplacement de l'ouverture.
- Ne jetez pas l'écran antipoussières, car il doit être réutilisé à chaque utilisation du sac à poussières ou de l'ensemble antipoussières.
- L'ensemble papier de l'aspirateur est un composant important pour maintenir le bon fonctionnement de l'outil. L'outil risque de dégager de la fumée ou de s'enflammer si vous n'utilisez pas un ensemble papier authentique.

## OPERATION

### ATTENTION :

- Pour connecter des accessoires tels qu'un raccord, les insérer en tournant dans le sens de la flèche pour assurer une connexion sûre pendant l'utilisation. Pour déconnecter l'accessoire, tirer en tournant aussi dans le sens de la flèche. (Fig. 24)

## Nettoyage (aspiration)

### Raccord (Fig. 25)

Fixer le raccord pour nettoyer les tables, bureaux, meubles, etc. Le raccord se glisse facilement en place.

### Raccord + tube prolongateur (tuyau rectiligne)

#### (Fig. 26)

Le tube prolongateur s'installe entre le raccord et l'aspirateur. Il permet de passer l'aspirateur sur le plancher tout en restant debout.

### Raccord pour coin (Fig. 27)

Installer le raccord pour coin lorsque l'on passe l'aspirateur dans les coins ou dans les interstices d'un véhicule ou d'un meuble.

### Raccord pour coin + tube prolongateur (tuyau rectiligne) (Fig. 28)

Utiliser cette combinaison pour passer l'aspirateur dans les endroits étroits ou dans les endroits élevés difficiles à atteindre.

### Nettoyage sans raccord (Fig. 29)

Le raccord n'est pas nécessaire pour collecter de la poudre ou des poussières.

## ENTRETIEN

### ATTENTION :

- Toujours s'assurer que l'outil est éteint avant d'effectuer son inspection ou son entretien.

### Après l'utilisation

#### NOTE :

- L'aspirateur risque de basculer et de subir des dommages si vous le placez simplement contre un mur sans aucun autre soutien. (Fig. 30)

## Nettoyage

Essuyer de temps à autre la surface extérieure (le boîtier) de l'aspirateur à l'aide d'un chiffon humecté dans de l'eau savonneuse. Nettoyer aussi l'ouverture d'aspiration, la zone de montage du sac à poussières ou de l'ensemble antipoussières, et l'écran antipoussières. (Fig. 31)

### ATTENTION :

- N'utilisez jamais d'essence, benzine, diluant, alcool ou autre produit similaire. Cela risquerait de provoquer la décoloration, la déformation ou la fissuration de l'outil.

Lavez le sac à poussières dans une eau savonneuse lorsqu'il est bouché par les poussières et que sa puissance d'aspiration devient faible. Le faire sécher parfaitement avant l'utilisation. Si le sac n'est pas bien sec, cela risque d'affecter la puissance d'aspiration et de raccourcir la durée de service du moteur. (Fig. 32)

#### NOTE :

- L'ensemble antipoussières est de type jetable.

Lorsque le filtre-éponge est bouché par les poussières, le retirer de l'aspirateur et l'essuyer ou le laver dans l'eau.

### Retrait et pose du filtre-éponge (Fig. 33 et 34)

Pour retirer le filtre-éponge, retirer d'abord le sac à poussières ou l'ensemble antipoussières, puis pincer le filtre-éponge pour l'enlever.

Presser tout le bord du filtre-éponge contre la paroi encastrée à l'intérieur de la zone de montage du sac à poussières ou de l'ensemble antipoussières.

**ATTENTION :**

- Après avoir nettoyé le filtre-éponge, ne pas oublier de l'installer sur l'aspirateur. Si on l'a lavé à l'eau, le faire sécher avant de l'installer. La durée de service du moteur risque d'être réduite si le filtre-éponge n'est pas assez sec.

**Points à vérifier avant de faire une demande de réparation**

Symptôme	Point à vérifier	Méthode de réparation
Faible puissance d'aspiration	<ul style="list-style-type: none"> <li>• Le sac à poussières ou l'ensemble papier est-il plein de poussières ?</li> <li>• Le sac à poussières est-il bouché ?</li> <li>• L'ensemble papier est-il bouché ?</li> <li>• La batterie est-elle épuisée ?</li> </ul>	<ul style="list-style-type: none"> <li>• Videz le sac à poussières ou l'ensemble papier.</li> <li>• Nettoyez ou lavez le sac à poussières.</li> <li>• Remplacez l'ensemble papier.</li> <li>• Chargez la batterie.</li> </ul>
Ne fonctionne pas	<ul style="list-style-type: none"> <li>• La batterie est-elle épuisée ?</li> </ul>	<ul style="list-style-type: none"> <li>• Chargez la batterie.</li> </ul>

011566

**NOTE :**

- Ne pas essayer de réparer l'aspirateur soi-même.

Pour maintenir la SÉCURITÉ et la FIABILITÉ du produit, les réparations, travaux d'entretien et autres réglages doivent être effectués dans un centre de service Makita agréé, exclusivement avec des pièces de rechange Makita.

**NOTE :**

- Il se peut que certains éléments de la liste soient compris dans l'emballage de l'outil en tant qu'accessoires standard. Ils peuvent varier d'un pays à l'autre.

**ACCESSOIRES EN OPTION****ATTENTION :**

- Ces accessoires et pièces complémentaires sont recommandés pour l'utilisation avec l'aspirateur Makita spécifié dans le présent manuel. L'utilisation de tout autre accessoire ou pièce peut comporter un risque de blessure. Utiliser uniquement l'accessoire ou la pièce pour le travail pour lequel il a été conçu.

Pour plus d'informations concernant ces accessoires, s'informer auprès du centre de service Makita le plus près.

- Tube prolongateur (tuyau rectiligne)
- Raccord
- Raccord pour tapis
- Brosse pour étagères
- Raccord pour coin
- Brosse ronde
- Boyau flexible
- Ensemble papier
- Batterie et chargeur Makita authentiques

**WARNUNG:** Dieses Gerät kann von Kindern ab 8 Jahren und Personen mit verminderten körperlichen, sensorischen oder geistigen Fähigkeiten bzw. Mangel an Erfahrung und Kenntnissen benutzt werden, vorausgesetzt, dass sie beaufsichtigt werden oder Anweisungen zum sicheren Gebrauch des Gerätes erhalten haben und die damit verbundenen Gefahren verstehen. Kinder dürfen nicht mit dem Gerät spielen. Reinigung und Benutzerwartung dürfen nicht von Kindern ohne Beaufsichtigung durchgeführt werden.

### Übersicht

1 Rote Anzeige	9 Staubsackanschlag	16 Staubbeutel
2 Knopf	10 Oberseite des Staubsackanschlags	17 Bürste
3 Akku	11 Unterseite des Staubsackanschlags	18 Staubsauger
4 Ausschalttaste (OFF)	12 Führungsnut	19 Verlängerungsrohr
5 Drehzahlwahltaste (HIGH/LOW)	13 Staubsack	20 Spitzdüse
6 Akku-Warnleuchte	14 Untere Nut	21 Schwammfilter
7 Gerätedeckel	15 Staubsackkammer	22 Vertiefte Wand
8 Frontabdeckungs-Anschlussstück		

### **TECHNISCHE DATEN**

Modell		DCL142	DCL182
Kapazität	mit Staubsack	0,50 L	
	mit Papierbeutel	0,33 L	
Dauerbetrieb	STARK (HIGH)	ca. 20 Min.	
	SCHWACH (LOW)	ca. 40 Min.	
Gesamtlänge		986 mm	1 004 mm
Nettogewicht		1,3 kg	
Nennspannung		14,4 V Gleichstrom	18 V Gleichstrom

- Aufgrund unseres Dauerprogramms der Forschung und Entwicklung unterliegen die hier angegebenen technischen Daten Änderung ohne Vorankündigung.
- Die technischen Daten und der Blockakku können von Land zu Land unterschiedlich sein.
- Gewicht mit Akku nach EPTA-Verfahren 01/2003

ENE017-1

#### **Vorgesehene Verwendung**

Die Maschine ist für das Absaugen von Trockenstaub vorgesehen.

ENA005-4

### **WICHTIG**

### **SICHERHEITSVORSCHRIFTEN**

Bei der Verwendung eines Elektrogerätes sind grundsätzliche Vorsichtsmaßnahmen, einschließlich der folgenden, stets zu beachten:

### **LESEN SIE ALLE ANWEISUNGEN VOR DER BENUTZUNG DIESES GERÄTES.**

**WARNUNG – Zur Reduzierung von Brand-, Stromschlag- oder Verletzungsgefahr:**

1. Das Gerät keinem Regen aussetzen. In Innenräumen aufbewahren.
2. Das Gerät darf nicht als Spielzeug benutzt werden. Wenn das Gerät von Kindern oder in deren Nähe benutzt wird, ist besondere Vorsicht geboten.
3. Nur gemäß der Beschreibung in dieser Anleitung benutzen. Nur vom Hersteller empfohlene Zusatzvorrichtungen verwenden.
4. Nicht mit beschädigtem Akku benutzen. Falls das Gerät nicht ordnungsgemäß funktioniert, fallen gelassen, beschädigt, im Freien liegen gelassen wurde oder ins Wasser gefallen ist, bringen Sie es zu einer Kundendienststelle.
5. Fassen Sie das Gerät nicht mit nassen Händen an.



6. Stecken Sie keine Gegenstände in die Öffnungen. Benutzen Sie das Gerät nicht mit einer blockierten Öffnung; halten Sie es frei von Staub, Fusseln, Haaren und Fremdkörpern, die den Luftstrom behindern können.
7. Halten Sie Haare, lose Kleidung, Finger und alle Körperteile von den Öffnungen und beweglichen Teilen fern.
8. Schalten Sie sämtliche Bedienelemente aus, bevor Sie den Akku abnehmen.
9. Lassen Sie bei der Reinigung von Treppen besondere Vorsicht walten.
10. Verwenden Sie das Gerät nicht zum Aufsaugen von brennbaren oder feuergefährlichen Flüssigkeiten, wie z. B. Benzin, und benutzen Sie es auch nicht in der Nähe solcher Flüssigkeiten.
11. Verwenden Sie nur das vom Hersteller gelieferte Ladegerät zum Aufladen.
12. Saugen Sie keine brennenden oder rauchenden Gegenstände auf, wie z. B. Zigaretten, Streichhölzer oder heiße Asche.
13. Benutzen Sie das Gerät nicht ohne Filter.
14. Laden Sie den Akku nicht im Freien.

### DIESE ANWEISUNGEN AUFBEWAHREN.

Dieses Gerät ist für Haushaltsgebrauch vorgesehen.

ENB114-3

### ZUSÄTZLICHE SICHERHEITSGELTEN

1. Lesen Sie diese Gebrauchsanleitung und die Gebrauchsanleitung des Ladegerätes vor der Benutzung durch.
2. Unterlassen Sie das Aufsaugen der folgenden Materialien:
  - Heiße Materialien, wie z. B. brennende Zigaretten oder durch Schleifen/Schneiden von Metall erzeugte Funken/Metallstaub
  - Brennbare Materialien, wie z. B. Benzin, Verdünner, Benzol, Petroleum oder Lack
  - Explosive Materialien, wie Nitroglycerin
  - Zündfähige Materialien, wie z. B. Aluminium, Zink, Magnesium, Titan, Phosphor oder Celluloid
  - Nassen Schmutz, Wasser, Öl o. Ä.
  - Harte Gegenstände mit scharfen Kanten, wie z. B. Holzspäne, Metalle, Steine, Glas, Nägel, Nadeln oder Rasierklingen
  - Klumpen bildendes Pulver, wie z. B. Zement oder Toner
  - Leitfähiger Staub, wie z. B. Metall- oder Kohlenstaub
  - Feine Partikel, wie z. B. Betonstaub
 Solche Handlungen können einen Brand, Verletzungen und/oder Sachschäden verursachen.
3. Brechen Sie den Betrieb sofort ab, wenn Sie irgendetwas Ungewöhnliches bemerken.
4. Falls Sie den Staubsauger fallen lassen oder anstoßen, überprüfen Sie ihn vor der Benutzung sorgfältig auf Risse oder Beschädigung.
5. Bringen Sie das Gerät nicht in die Nähe von Öfen oder anderen Wärmequellen.
6. Blockieren Sie nicht die Einlassöffnung oder die Belüftungsöffnungen.

### DIESE ANWEISUNGEN AUFBEWAHREN.

## WICHTIGE SICHERHEITSVORSCHRIFTEN

### FÜR AKKU

1. Lesen Sie vor der Benutzung des Akkus alle Anweisungen und Warnhinweise, die an (1) Ladegerät, (2) Akku und (3) Akkuwerkzeug angebracht sind.
2. Unterlassen Sie ein Zerlegen des Akkus.
3. Falls die Betriebszeit beträchtlich kürzer geworden ist, stellen Sie den Betrieb sofort ein. Anderenfalls besteht die Gefahr von Überhitzung, möglichen Verbrennungen und sogar einer Explosion.
4. Falls Elektrolyt in Ihre Augen gelangt, waschen Sie sie mit sauberem Wasser aus, und begeben Sie sich unverzüglich in ärztliche Behandlung. Anderenfalls können Sie Ihre Sehkraft verlieren.
5. Der Akku darf nicht kurzgeschlossen werden:
  - (1) Die Kontakte dürfen nicht mit leitfähigem Material berührt werden.
  - (2) Lagern Sie den Akku nicht in einem Behälter zusammen mit anderen Metallgegenständen, wie z.B. Nägel, Münzen usw.
  - (3) Setzen Sie den Akku weder Wasser noch Regen aus.

Ein Kurzschluss des Akkus verursacht starken Stromfluss, der Überhitzung, Verbrennungen und einen Defekt zur Folge haben kann.

6. Lagern Sie Maschine und Akku nicht an Orten, an denen die Temperatur 50°C erreichen oder überschreiten kann.
7. Versuchen Sie niemals, den Akku zu verbrennen, selbst wenn er stark beschädigt oder vollkommen verbraucht ist. Der Akku kann im Feuer explodieren.
8. Achten Sie darauf, dass der Akku nicht fallen gelassen oder Stößen ausgesetzt wird.
9. Keinen beschädigten Akku benutzen.
10. Befolgen Sie die örtlichen Bestimmungen bezüglich der Entsorgung von Akkus.

### BEWAHREN SIE DIESE HINWEISE SORGFÄLTIG AUF.

#### Hinweise zur Aufrechterhaltung der maximalen Akku-Nutzungsdauer

1. Laden Sie den Akku, bevor er vollkommen erschöpft ist. Schalten Sie die Maschine stets aus, und laden Sie den Akku, wenn Sie ein Nachlassen der Maschinenleistung feststellen.
2. Unterlassen Sie das erneute Laden eines voll aufgeladenen Akkus. Überladen führt zu einer Verkürzung der Nutzungsdauer des Akkus.
3. Laden Sie den Akku bei Raumtemperatur zwischen 10°C – 40°C. Lassen Sie einen heißen Akku abkühlen, bevor Sie ihn laden.
4. Laden Sie den Akku bei längerer Nichtbenutzung alle sechs Monate nach.

## FUNKTIONSBESCHREIBUNG

### VORSICHT:

- Vergewissern Sie sich vor der Durchführung von Einstellungen oder Funktionsprüfungen der Maschine stets, dass die Maschine ausgeschaltet und der Akku abgenommen ist.
- Achten Sie beim Einsetzen des Akkus darauf, dass Sie sich nicht die Finger zwischen Staubsauger und Akku klemmen, wie in der Abbildung gezeigt. Einklemmen von Fingern kann Verletzungen verursachen. **(Abb. 1)**

### Anbringen und Abnehmen des Akkus (Abb. 2)

#### VORSICHT:

- Schalten Sie die Maschine stets aus, bevor Sie den Akku anbringen oder abnehmen.
- **Halten Sie Maschine und Akku beim Anbringen oder Abnehmen des Akkus sicher fest.** Wenn Sie Maschine und Akku nicht sicher festhalten, können sie Ihnen aus der Hand rutschen, was zu einer Beschädigung der Maschine und des Akkus und zu Körperverletzungen führen kann.

Schieben Sie den Akku zum Abnehmen von der Maschine ab, während Sie den Knopf an der Vorderseite des Akkus drücken.

Zum Einsetzen des Akkus richten Sie die Führungsfeder des Akkus auf die Nut im Werkzeuggehäuse aus und schieben den Akku hinein. Schieben Sie ihn vollständig ein, bis er mit einem hörbaren Klicken einrastet. Falls die rote Anzeige an der Oberseite des Knopfes sichtbar ist, ist der Akku nicht vollständig verriegelt.

#### VORSICHT:

- Schieben Sie den Akku stets bis zum Anschlag ein, bis die rote Anzeige nicht mehr sichtbar ist. Anderenfalls kann er aus der Maschine herausfallen und Sie oder umstehende Personen verletzen.
- Unterlassen Sie Gewaltanwendung beim Anbringen des Akkus. Falls der Akku nicht reibungslos hineingleitet, ist er nicht richtig ausgerichtet.

### Akku-Schutzsystem

Der Staubsauger ist mit einem Schutzsystem ausgestattet, das die Stromabgabe automatisch abschaltet, um eine lange Lebensdauer zu gewährleisten.

Der Staubsauger kann sich während des Betriebs abschalten, wenn Staubsauger und/oder Akku in die folgende Situation geraten. Dies wird durch die Aktivierung des Schutzsystems verursacht und ist kein Anzeichen für eine Störung des Staubsaugers.

- Wenn der Staubsauger überlastet wird:  
Lassen Sie in diesem Fall den EIN-/AUS-Schalter los, und beseitigen Sie die Ursachen der Überlastung, bevor Sie den EIN-/AUS-Schalter erneut betätigen, um die Maschine wieder einzuschalten.
- Wenn die Akku-Restkapazität niedrig wird:  
Laden Sie den Blockakku auf.

### Schalterfunktion (Abb. 3)

Drücken Sie zum Einschalten des Staubsaugers einfach die Taste „HIGH/LOW“. Zum Ausschalten drücken Sie die Taste „OFF“. Um die Drehzahl des Staubsaugers zu ändern, drücken Sie die Taste „HIGH/LOW“. Beim ersten Drücken dieser Taste erhalten Sie die hohe Drehzahl, beim zweiten die niedrige Drehzahl. Dann wird mit jedem weiteren Drücken dieser Taste der Zyklus hohe/niedrige Drehzahl abwechselnd wiederholt.

### Akku-Warnleuchte (Abb. 4)

- Wenn die Akku-Restkapazität niedrig wird, blinkt die Akku-Warnleuchte.
- Wenn die Akku-Restkapazität erheblich niedriger wird, bleibt die Maschine während des Betriebs stehen, und die Akku-Warnleuchte leuchtet etwa zehn Sekunden lang auf. Nehmen Sie in diesem Fall den Akku von der Maschine ab, und laden Sie ihn auf.

#### HINWEIS:

- Der Zeitpunkt, zu dem die Akku-Warnleuchte zu blinken oder aufzuleuchten beginnt, hängt von der Temperatur am Arbeitsplatz und dem Zustand des Akkus ab.

## MONTAGE

#### VORSICHT:

- Vergewissern Sie sich vor der Ausführung von Arbeiten an der Maschine stets, dass die Maschine ausgeschaltet und der Akku abgenommen ist.

### Staubentleerung

#### VORSICHT:

- Leeren Sie den Staubsauger, bevor er voll wird oder die Saugleistung nachlässt.
  - Entleeren Sie auch unbedingt den Staub im Staubsauger selbst. Anderenfalls kann sich der Schwammfilter zusetzen, oder der Motor kann beschädigt werden.
  - Werfen Sie auf keinen Fall den Staubsackanschlag weg, weil er bei jedem Einsetzen des Staubsacks oder Staubbeutel benötigt wird.
1. Drücken Sie den Knopf, um die Frontabdeckung zu öffnen. Wird die Abdeckung geöffnet, bis ein Klicken hörbar ist, rastet sie an dieser Position ein. **(Abb. 5)**

#### HINWEIS:

- Der Staubsauger ist so konstruiert, dass sich die Frontabdeckung löst, wenn versucht wird, die Frontabdeckung weiter als 90° zu öffnen. Falls sich die Frontabdeckung löst, schieben Sie sie wieder auf das Frontabdeckungs-Anschlussstück. **(Abb. 6)**

#### VORSICHT:

- Achten Sie beim Schließen der Frontabdeckung darauf, dass Sie sich nicht die Finger klemmen.
2. Ziehen Sie den orangefarbenen Staubsackanschlag und den Staubsack gleichzeitig heraus. **(Abb. 7)**
  3. Entfernen Sie den Staubsackanschlag, und leeren Sie den Staubsauger. **(Abb. 8 u. 9)**

### Staubsack und Papierbeutel

Setzen Sie vor der Benutzung des Staubsaugers entweder den Staubsack oder einen Papierbeutel ein. Verwenden Sie den Staubsackanschlag sowohl für den Staubsack als auch für den Papierbeutel.

Der Staubsack kann durch Entleeren viele Male wieder verwendet werden.

Der Papierbeutel ist ein Wegwerfartikel. Werfen Sie den ganzen Papierbeutel weg, ohne ihn zu entleeren, wenn er voll geworden ist.

### Einsetzen des Staubsacks

Verwenden Sie den Staubsackanschlag zum Einsetzen des Staubsacks. Achten Sie darauf, dass Sie nicht versehentlich die Oberseite mit der Unterseite verwechseln, weil sie unterschiedlich sind. **(Abb. 10)**

1. Führen Sie den Vorsprung des Staubsacks in die Führungsnut des Staubsackanschlags ein, wie in der Abbildung gezeigt. **(Abb. 11)**
2. Es gibt keinen Unterschied zwischen der Ober- und Unterseite des Staubsacks. Der Vorsprung beider Seiten kann in die untere Nut des Staubsackanschlags eingeführt werden. **(Abb. 12)**
3. Der Rahmen des Staubsackanschlags muss sich mit dem des Staubsacks decken. **(Abb. 13)**
4. Setzen Sie den Staubsack zusammen mit dem Staubsackanschlag in der Richtung des Pfeils auf dem Staubsackanschlag in die Staubsackkammer ein. Führen Sie die Teile vollständig in die Schlitzle der Staubsackkammer ein. **(Abb. 14)**
5. Bringen Sie den gesamten Stoffteil des Staubsacks im Gerät selbst unter. **(Abb. 15)**
6. Schließen Sie die Frontabdeckung vollständig. **(Abb. 16)**

### Einsetzen des Papierbeutels

1. Falten Sie den Einlass des Papierbeutels auf, bevor Sie ihn am Staubsackanschlag anbringen. **(Abb. 17)**  
Verwenden Sie den Staubsackanschlag auch zum Einsetzen des Staubbeutel. Achten Sie darauf, dass Sie nicht versehentlich die Oberseite mit der Unterseite verwechseln, weil sie unterschiedlich sind. **(Abb. 18)**
2. Führen Sie den Vorsprung des Staubbeutel in die Führungsnut des Staubsackanschlags ein, wie in der Abbildung gezeigt. **(Abb. 19)**
3. Es gibt keinen Unterschied zwischen der Ober- und Unterseite des Staubbeutel. Der Vorsprung beider Seiten kann in die untere Nut des Staubsackanschlags eingeführt werden. **(Abb. 20)**
4. Der Rahmen des Staubsackanschlags muss sich mit dem des Staubbeutel decken. **(Abb. 21)**
5. Setzen Sie den Staubbeutel zusammen mit dem Staubsackanschlag in der Richtung des Pfeils auf dem Staubsackanschlag in die Staubsackkammer ein. Führen Sie die Teile vollständig in die Schlitzle der Staubsackkammer ein. **(Abb. 22)**
6. Bringen Sie den gesamten Beutelteil des Staubbeutels im Gerät selbst unter. **(Abb. 23)**
7. Schließen Sie die Frontabdeckung vollständig.

### VORSICHT:

- Falls Sie keinen Staubsack oder Staubbeutel einsetzen, oder den Staubsackanschlag nicht zusammen mit dem Staubsack oder Staubbeutel vollständig in die Schlitzle einführen, oder einen beschädigten oder zerrissenen Sack oder Beutel benutzen, kann Staub in den Motor eindringen. Dies kann zu einem Ausfall des Motors führen.
- Unterlassen Sie Falten des Kartons an der Öffnung des Papierbeutels, wenn Sie diesen einsetzen.
- Werfen Sie auf keinen Fall den Staubsackanschlag weg, weil er zum Einsetzen des Staubsacks oder Staubbeutel wiederholt benutzt werden muss.
- Der Papierbeutel für den Staubsauger ist ein wichtiges Teil zur Aufrechterhaltung der Maschinenleistung. Wird ein anderer Beutel als der Original-Papierbeutel verwendet, kann es zu Rauchbildung oder Entzündung kommen.

## BETRIEB

### VORSICHT:

- Um Vorrichtungen, wie z. B. eine Bürste, anzuschließen, führen Sie die Vorrichtung unter gleichzeitigem Drehen in Pfeilrichtung ein, um einwandfreie Verbindung während des Gebrauchs zu gewährleisten. Um die Vorrichtung abzutrennen, ziehen Sie sie unter gleichzeitigem Drehen in Pfeilrichtung ab. **(Abb. 24)**

### Reinigen (Saugen)

#### Bürste (Abb. 25)

Bringen Sie die Bürste an, um Tische, Pulte, Möbelstücke usw. abzusaugen. Die Bürste lässt sich leicht aufstecken.

#### Bürste + Verlängerungsrohr (Gerades Rohr) (Abb. 26)

Das Verlängerungsrohr wird zwischen Bürste und Staubsauger angebracht. Diese Anordnung ist praktisch, um den Fußboden im Stehen zu saugen.

#### Spitzdüse (Abb. 27)

Bringen Sie die Spitzdüse an, um die Ecken und Ritzen eines Autos oder Möbelstücks zu reinigen.

#### Spitzdüse + Verlängerungsrohr (Gerades Rohr) (Abb. 28)

Benutzen Sie diese Anordnung in engen Zwischenräumen, in die der Staubsauger selbst nicht hineinpasst, oder an schwer erreichbaren hohen Orten.

#### Staubsaugen ohne Düse (Abb. 29)

Sie können Pulver und Staub ohne Düse aufsaugen.

## WARTUNG

### VORSICHT:

- Denken Sie vor der Durchführung von Überprüfungen oder Wartungsarbeiten stets daran, der Maschine auszuschalten.

### Nach der Benutzung

#### HINWEIS:

- Wird der Staubsauger ohne irgend eine Stütze gegen eine Wand gelehnt, kann er umkippen und beschädigt werden. **(Abb. 30)**

### Reinigen

Wischen Sie die Außenseite (Gehäuse) des Staubsaugers von Zeit zu Zeit mit einem mit Seifenwasser getränkten Tuch ab. Reinigen Sie auch die Saugöffnung, den Staubsack/Staubbeutel-Montagebereich und den Staubsackanschlag. **(Abb. 31)**

### VORSICHT:

- Verwenden Sie auf keinen Fall Benzin, Benzol, Verdünnern, Alkohol oder dergleichen. Solche Mittel können Verfärbung, Verformung oder Rissbildung verursachen.

Waschen Sie den Staubsack in Seifenwasser aus, wenn er mit Staub zugesetzt ist und die Saugleistung nachlässt. Lassen Sie ihn vor der Benutzung gründlich trocknen. Ein noch feuchter Staubsack kann schlechte Saugleistung verursachen und die Lebensdauer des Motors verkürzen. **(Abb. 32)**

#### HINWEIS:

- Der Staubbeutel ist ein Wegwerfartikel.

Wenn der Schwammfilter mit Staub zugesetzt ist, nehmen Sie ihn aus dem Staubsauger heraus, und wischen Sie ihn ab, oder waschen Sie ihn in Wasser aus.

## Herausnehmen und Einsetzen des Schwammfilters (Abb. 33 u. 34)

Entfernen Sie den Schwammfilter durch Zusammendrücken und Herausnehmen, nachdem Sie den Staubsack bzw. den Staubbeutel herausgenommen haben. Drücken Sie die ganze Kante des Schwammfilters gegen die vertiefte Wand im Staubsack/Staubbeutel-Montagebereich.

## Prüfpunkte vor einer Reparaturanforderung

Symptom	Prüfbereich	Abhilfeverfahren
Schwache Saugkraft	<ul style="list-style-type: none"><li>Ist der Staubsack oder der Papierbeutel voll Staub?</li><li>Ist der Staubsack verstopft?</li><li>Ist der Papierbeutel verstopft?</li><li>Ist der Akku erschöpft?</li></ul>	<ul style="list-style-type: none"><li>Staubsack oder Papierbeutel leeren.</li><li>Den Staubsack abstauben oder waschen.</li><li>Den Papierbeutel austauschen.</li><li>Den Akku aufladen.</li></ul>
Gerät funktioniert nicht	<ul style="list-style-type: none"><li>Ist der Akku erschöpft?</li></ul>	<ul style="list-style-type: none"><li>Den Akku aufladen.</li></ul>

011566

### HINWEIS:

- Versuchen Sie nicht, den Staubsauger selbst zu reparieren.

Um die SICHERHEIT und ZUVERLÄSSIGKEIT dieses Produkts zu gewährleisten, sollten Reparaturen und andere Wartungs- oder Einstellarbeiten nur von autorisierten Makita-Kundendienstzentren unter ausschließlicher Verwendung von Makita-Originalersatzteilen ausgeführt werden.

## SONDERZUBEHÖR

### VORSICHT:

- Die folgenden Zubehörteile oder Vorrichtungen werden für den Einsatz mit dem in dieser Anleitung beschriebenen Makita-Staubsauger empfohlen. Die Verwendung anderer Zubehörteile oder Vorrichtungen kann eine Verletzungsgefahr darstellen. Verwenden Sie Zubehörteile oder Vorrichtungen nur für ihren vorgesehenen Zweck.

Wenn Sie weitere Einzelheiten bezüglich dieser Zubehörteile benötigen, wenden Sie sich bitte an Ihre Makita-Kundendienststelle.

- Verlängerungsrohr (Gerades Rohr)
- Bürste
- Düse für Teppich
- Regalbürste
- Spitzdüse
- Rundbürste
- Flexibler Schlauch
- Papierbeutel
- Original-Makita-Akku und -Ladegerät

### VORSICHT:

- Denken Sie daran, den Schwammfilter nach dem Reinigen wieder in den Staubsauger einzusetzen. Wenn er in Wasser ausgewaschen wurde, lassen Sie ihn vor dem Einsetzen trocknen. Ein noch feuchter Schwammfilter kann die Lebensdauer des Motors verkürzen.

### HINWEIS:

- Manche Teile in der Liste können als Standardzubehör im Werkzeugsatz enthalten sein. Sie können von Land zu Land unterschiedlich sein.

**ATTENZIONE:** Questo utensile può essere usato dai bambini di 8 anni e oltre, e dalle persone con capacità fisiche, sensoriali o mentali ridotte, o senza esperienza o conoscenza, se sono sotto la supervisione o hanno ricevuto le istruzioni per l'utilizzo sicuro dell'utensile e capiscono i rischi che comporta. I bambini non devono giocare con l'utensile. La pulizia e la manutenzione non devono essere fatte dai bambini senza supervisione.

**Visione generale**

- |                              |                                 |                           |
|------------------------------|---------------------------------|---------------------------|
| 1 Indicatore rosso           | 9 Fermo polvere                 | 17 Bocchetta              |
| 2 Bottone                    | 10 Lato superiore fermo polvere | 18 Aspiratore             |
| 3 Batteria                   | 11 Lato inferiore fermo polvere | 19 Prolunga               |
| 4 Pulsante OFF               | 12 Scanalatura                  | 20 Accessorio per fessure |
| 5 Pulsante HIGH/LOW          | 13 Sacchetto polvere            | 21 Filtro spugna          |
| 6 Spia batteria              | 14 Scanalatura inferiore        | 22 Parete incavata        |
| 7 Coperchio anteriore        | 15 Cavità aspiratore            |                           |
| 8 Giunto coperchio anteriore | 16 Pacco polvere                |                           |

**DATI TECNICI**

Modello		DCL142	DCL182
Capacità	con sacchetto polvere	0,50 L	
	con pacco carta	0,33 L	
Utilizzo continuo	HIGH	20 min. circa	
	LOW	40 min. circa	
Lunghezza totale		986 mm	1.004 mm
Peso netto		1,3 kg	
Tensione nominale		C.c. 14,4 V	C.c. 18 V

- Per il nostro continuo programma di ricerca e sviluppo, queste specifiche sono soggette a modifiche senza avviso.
- I dati tecnici e la cartuccia batteria potrebbero differire da paese a paese.
- Peso, con batteria, secondo la Procedura EPTA 01/2003

ENE017-1

**Utilizzo prefissato**

Questo utensile è progettato per la raccolta della polvere.

ENA005-4

**IMPORTANTE**

**ISTRUZIONI PER LA SICUREZZA**

Utilizzando un elettrodomestico bisogna sempre seguire le precauzioni di base, comprese quelle seguenti:

**LEGGERE TUTTE LE ISTRUZIONI PRIMA DI USARE QUESTO ELETTRODOMESTICO.**

**ATTENZIONE** – Per ridurre il rischio d'incendio, scosse elettriche o incidenti:

1. **Non esporre questo elettrodomestico alla pioggia. Conservarlo in interni.**
2. **Non permettere che venga usato come giocattolo. È necessaria una stretta sorveglianza se viene usato da o vicino a bambini.**
3. **Usarlo soltanto come descritto in questo manuale. Usare soltanto gli accessori consigliati dal produttore.**
4. **Non usarlo con una batteria danneggiata. Se questo elettrodomestico non funziona come dovrebbe, se è caduto, è danneggiato, è rimasto all'aperto o è caduto in acqua, portarlo a un centro di assistenza ai clienti.**
5. **Non maneggiare questo elettrodomestico con le mani bagnate.**
6. **Non inserire alcun oggetto nelle aperture. Non usarlo con una qualsiasi apertura bloccata. Mantenerlo esente da polvere, filacce, capelli e tutto ciò che potrebbe ridurre il flusso dell'aria.**
7. **Tenere i capelli, gli abiti ampi e tutte le parti del corpo lontani dalle aperture e dalle parti mobili.**
8. **Disattivare tutti i comandi prima di rimuovere la batteria.**
9. **Fare particolarmente attenzione durante la pulizia delle scale.**

10. Questo elettrodomestico non deve essere usato per aspirare sostanze infiammabili o combustibili, come la benzina, o dove esse potrebbero essere presenti.
11. Per la ricarica, usare soltanto il caricatore fornito dal produttore.
12. Questo elettrodomestico non deve essere usato per aspirare oggetti che bruciano o fumanti, come le sigarette, i fiammiferi o le ceneri calde.
13. Non usarlo senza i filtri in posizione.
14. Non caricare la batteria all'aperto.

## CONSERVARE QUESTE ISTRUZIONI.

Questo elettrodomestico è progettato per l'utilizzo domestico.

ENB114-3

## REGOLE ADDIZIONALI PER LA SICUREZZA

1. Leggere attentamente questo manuale di istruzioni e il manuale di istruzioni del caricatore prima dell'uso.
2. Non raccogliere i materiali seguenti:
  - Materiali caldi, come le sigarette accese e/o scintille/polvere sprigionate dalla smerigliatura/taglio del metallo
  - Materiali infiammabili, come benzina, solventi, benzene, cherosene o vernici
  - Materiali esplosivi come nitroglicerina
  - Materiali infiammabili, come alluminio, zinco, magnesio, titanio, fosforo o celluloido
  - Sporco bagnato, acqua, olio e simili
  - Pezzi duri con estremità affilate, come schegge di legno, metallo, pietra, vetro, chiodi, puntine o rasoi
  - Polveri da ostruire, come cemento o colorante
  - Polvere conduttiva, come quella di metallo o carbone
  - Particelle fini, come la polvere del cemento
 Tale azionamento potrebbe causare un incendio, lesioni e/o danni materiali.
3. Smettere immediatamente l'uso se si nota qualcosa di anormale.
4. Se si fa cadere o si sbatte l'aspiratore, controllare attentamente se ci sono crepe o danni prima di usarlo.
5. Non avvicinarlo a stufe o altre sorgenti di calore.
6. Non bloccare il foro di aspirazione o i fori di ventilazione.

## CONSERVARE QUESTE ISTRUZIONI.

ENC007-8

## ISTRUZIONI IMPORTANTI DI SICUREZZA

### PER LA CARTUCCIA DELLA BATTERIA

1. Prima di usare la cartuccia della batteria, leggere tutte le istruzioni e le avvertenze sul (1) carica-batteria, sulla (2) batteria e sul (3) prodotto che utilizza la batteria.
2. Non smontare la cartuccia della batteria.
3. Se il tempo di utilizzo è diventato molto corto, smettere immediatamente di usare l'utensile. Può risultare un rischio di surriscaldamento, possibili ustioni e addirittura un'esplosione.

4. Se l'elettrolita va negli occhi, risciacquarli con acqua pulita e rivolgersi immediatamente ad un medico. Può risultare la perdita della vista.
5. Non cortocircuitare la cartuccia della batteria:
  - (1) Non toccare i terminali con qualche metallo conduttivo.
  - (2) Evitare di conservare la cartuccia della batteria in un contenitore con altri oggetti metallici come i chiodi, le monete, ecc.
  - (3) Non esporre la cartuccia della batteria all'acqua o alla pioggia.
 Un cortocircuito della batteria può causare un grande flusso di corrente, il surriscaldamento, possibili ustioni e addirittura un guasto.
6. Non conservare l'utensile e la cartuccia della batteria in luoghi in cui la temperatura può raggiungere o superare i 50°C.
7. Non incenerire la cartuccia della batteria anche se è gravemente danneggiata o è completamente esaurita. La cartuccia della batteria può esplodere e provocare un incendio.
8. Fare attenzione a non lasciar cadere o a colpire la batteria.
9. Non usare una batteria danneggiata.
10. Seguire le norme locali relative al modo di disfarsi della batteria.

## CONSERVARE QUESTE ISTRUZIONI.

### Suggerimenti per mantenere la durata massima della batteria

1. Caricare la cartuccia della batteria prima che si scarichi completamente. Smettere sempre di usare l'utensile e caricare la cartuccia della batteria quando si nota che la potenza dell'utensile è diminuita.
2. Non ricaricare mai una cartuccia della batteria completamente carica. La sovraccarica riduce la durata della batteria.
3. Caricare la cartuccia della batteria con la temperatura ambiente da 10°C a 40°C. Lasciar raffreddare una cartuccia della batteria calda prima di caricarla.
4. Caricare la cartuccia della batteria una volta ogni sei mesi se non si intende usarla per un lungo periodo di tempo.

## DESCRIZIONE FUNZIONALE

### ATTENZIONE:

- Accertarsi sempre che l'utensile sia spento e che la batteria sia stata rimossa prima di regolare o di controllare il funzionamento dell'utensile.
- Montando la batteria, fare attenzione che le dita non rimangano incastrate tra l'aspiratore e la batteria, come mostrato nella illustrazione. C'è pericolo di lesioni se le dita rimangono incastrate. (Fig. 1)

### Installazione o rimozione della batteria (Fig. 2)

#### ATTENZIONE:

- Spegnerne sempre l'utensile prima di inserire o di rimuovere la cartuccia batteria.
- Tenere saldamente l'utensile e la batteria quando si installa o si rimuove la batteria. Se non si tengono saldamente l'utensile e la batteria, potrebbero sfuggire di mano con conseguente danno dell'utensile e della batteria e un incidente.

Per rimuovere la cartuccia batteria, ritrarla dall'utensile spingendo il bottone sulla parte anteriore della cartuccia batteria.

Per installare la cartuccia batteria, allineare l'appendice sulla cartuccia batteria con la scanalatura dell'alloggiamento e inserirla in posizione. Inserirla completamente finché si blocca in posizione con uno piccolo scatto. Se si vede l'indicatore rosso sulla parte superiore del bottone, vuol dire che non è bloccata completamente.

#### **ATTENZIONE:**

- Installare sempre completamente la batteria finché l'indicatore rosso non è più visibile. In caso contrario, potrebbe cadere dall'utensile con pericolo di ferite per l'operatore o per chi gli è vicino.
- Non installare forzatamente la batteria. Se la cartuccia batteria non entra facilmente, vuol dire che non viene inserita correttamente.

#### **Sistema di protezione della batteria**

Questo aspiratore è dotato di un sistema di protezione che interrompe automaticamente la corrente per garantirne la lunga vita di servizio.

L'aspiratore potrebbe arrestarsi durante il funzionamento se esso e/o la batteria vengono a trovarsi nella condizione seguente. Ciò è causato dall'attivazione del sistema di protezione e non denota un guasto dell'aspiratore.

- Se si verifica il sovraccarico dell'aspiratore:  
In tal caso, rilasciare l'interruttore a grilletto ed eliminare le cause del sovraccarico, quindi tirare il grilletto per riavviare.
- Se la capacità restante della batteria diventa bassa:  
Ricaricare la cartuccia batteria.

#### **Funzionamento dell'interruttore (Fig. 3)**

Per avviare l'aspiratore, premere semplicemente il pulsante "HIGH/LOW". Per spegnerlo, premere il pulsante "OFF". Per cambiare la velocità dell'aspiratore, premere il pulsante "HIGH/LOW". La prima pressione di questo pulsante è per l'alta velocità, e la seconda pressione è per la bassa velocità, dopo di che ogni pressione successiva del pulsante ripete alternativamente il ciclo di alta/bassa velocità.

#### **Spia batteria (Fig. 4)**

- Quando la capacità restante della batteria diventa bassa, la spia della batteria lampeggia.
- Quando la capacità restante della batteria diventa molto bassa, l'utensile si arresta mentre sta funzionando e la spia della batteria si accende per dieci secondi circa. Rimuovere allora la batteria dall'utensile e caricarla.

#### **NOTA:**

- Il momento in cui la spia della batteria comincia a lampeggiare o si accende dipende dalla temperatura del luogo di utilizzo e dalle condizioni della batteria.

### **MONTAGGIO**

#### **ATTENZIONE:**

- Accertarsi sempre che l'utensile sia spento e che la batteria sia stata rimossa prima di qualsiasi intervento sull'utensile.

#### **Smaltimento della polvere**

#### **ATTENZIONE:**

- Svuotare l'aspiratore prima che diventi troppo pieno, perché altrimenti la forza di aspirazione si riduce.

- Svuotare la polvere dall'interno dell'aspiratore. In caso contrario, il filtro di spugna potrebbe intasarsi o il motore rimanere danneggiato.
  - Il fermo polvere non deve mai essere gettato via e deve essere usato ogni volta che si usa il sacchetto polvere o il pacco polvere.
1. Spingere il bottone per aprire il coperchio anteriore. Aprendolo finché si sente uno scatto permette un stop positivo su quella posizione. (Fig. 5)

#### **NOTA:**

- L'Aspiratore è costruito in modo che il coperchio anteriore si stacca se si cerca di aprirlo a un angolo di oltre 90°. Se il coperchio anteriore si stacca, inserirlo in posizione nel giunto coperchio anteriore. (Fig. 6)

#### **ATTENZIONE:**

- Chiudendo il coperchio anteriore, fare attenzione che le dita non rimangano incastrate.
2. Tirar fuori insieme allo stesso tempo entrambi il fermo polvere di colore arancione e il sacchetto polvere. (Fig. 7)
  3. Rimuovere il fermo polvere e svuotare l'aspiratore. (Fig. 8 e 9)

#### **Sacchetto polvere e pacco carta**

Installare il sacchetto polvere o il pacco carta prima di usare l'aspiratore.

Usare il fermo polvere quando si installa il sacchetto polvere o il pacco carta.

Il sacchetto polvere può essere usato molte volte ripetutamente pulendolo.

Il pacco carta è del tipo a perdere. Gettar via l'intero pacco carta senza svuotarlo quando diventa pieno.

#### **Installazione del sacchetto polvere**

Usare il fermo polvere quando si installa il sacchetto polvere. Fare attenzione a non scambiare per sbaglio il lato superiore con quello inferiore del fermo polvere, perché sono diversi l'uno dall'altro. (Fig. 10)

1. Inserire la sporgenza del sacchetto polvere nella scanalatura del fermo polvere, come mostrato nella illustrazione. (Fig. 11)
2. Non c'è alcuna differenza tra il lato superiore e quello inferiore del sacchetto polvere. Si può inserire la sua sporgenza di qualsiasi lato nella scanalatura inferiore del fermo polvere. (Fig. 12)
3. Sovrapporre il telaio del fermo polvere a quello del sacchetto polvere. (Fig. 13)
4. Sistemare insieme il fermo polvere e il sacchetto polvere nella cavità aspiratore, nella stessa direzione della freccia sul fermo polvere. Inserirli completamente nelle fessure della cavità aspiratore. (Fig. 14)
5. Sistemare l'intera parte del pannello del sacchetto polvere all'interno dell'utensile stesso. (Fig. 15)
6. Chiudere completamente il coperchio anteriore. (Fig. 16)

#### **Installazione del pacco carta**

1. Aprire l'ingresso del pacco carta prima di sistemarlo sul fermo polvere. (Fig. 17)

Usare il fermo polvere anche quando si installa il pacco polvere. Fare attenzione a non scambiare per sbaglio il lato superiore con il lato inferiore, perché sono diversi l'uno dall'altro. (Fig. 18)

2. Inserire la sporgenza del pacco polvere nella scanalatura del fermo polvere, come mostrato nella illustrazione. **(Fig. 19)**
3. Non c'è distinzione tra i lati superiore e inferiore del pacco polvere. Nella scanalatura inferiore del fermo polvere si può inserire la sporgenza di qualsiasi lato. **(Fig. 20)**
4. Sovrapporre il telaio del fermo polvere a quello del pacco polvere. **(Fig. 21)**
5. Sistemare insieme il fermo polvere e il pacco polvere nella cavità dell'aspiratore, nella stessa direzione della freccia sul fermo polvere. Inserirli completamente nelle fessure nella cavità dell'aspiratore. **(Fig. 22)**
6. Sistemare l'intera parte del contenitore del pacco polvere dentro l'utensile. **(Fig. 23)**
7. Chiudere completamente il coperchio anteriore.

#### **ATTENZIONE:**

- Se per dimenticanza non si installa il sacchetto polvere o il pacco polvere, oppure se non si inserisce il fermo polvere insieme con il sacchetto polvere, non si inserisce il pacco polvere completamente nelle fessure o si usa un sacchetto rotto o lacerato, la polvere potrebbe penetrare nel motore. Ciò potrebbe causare un guasto del motore.
- Installando il pacco carta, non piegare il cartone sulla sua apertura.
- Il fermo polvere non deve mai essere gettato via, perché è necessario usarlo ripetutamente ogni volta che si usa il sacchetto polvere o il pacco polvere.
- Il pacco carta per l'aspiratore è un componente importante per mantenere le prestazioni dell'utensile. L'utilizzo di pacchi carta diversi da quello originale potrebbe causare fumo o un incendio.

## **OPERAZIONI**

#### **ATTENZIONE:**

- Per collegare gli accessori, come la bocchetta, ruotare e inserire l'accessorio nella direzione della freccia in modo da assicurare che sia attaccato saldamente durante l'uso. **(Fig. 24)**

#### **Pulizia (Aspirazione)**

##### **Bocchetta (Fig. 25)**

Attaccare la bocchetta per pulire i tavoli, le scrivanie, i mobili, ecc. La bocchetta si attacca facilmente.

##### **Bocchetta + Prolunga (tubo diritto) (Fig. 26)**

La prolunga va montata tra la bocchetta e l'aspiratore stesso. Questa disposizione è comoda per pulire il pavimento stando eretti.

##### **Accessorio per fessure (Fig. 27)**

Montare l'accessorio per fessure per la pulizia degli angoli e delle fessure di un'automobile o mobile.

##### **Accessorio per fessure + Prolunga (tubo diritto) (Fig. 28)**

Usare questa disposizione per la pulizia dei posti dove la bocchetta non può entrare, o di quelli alti difficili da raggiungere.

##### **Pulizia senza la bocchetta (Fig. 29)**

La polvere può essere aspirata senza la bocchetta.

## **MANUTENZIONE**

#### **ATTENZIONE:**

- Accertarsi sempre che l'utensile sia spento prima di procedere all'ispezione o alla manutenzione.

#### **Dopo l'uso**

#### **NOTA:**

- Se si appoggia l'aspiratore a una parete senza alcun supporto, esso potrebbe cadere e danneggiarsi. **(Fig. 30)**

#### **Pulizia**

Pulire ogni tanto l'esterno (corpo aspiratore) usando un panno bagnato con acqua e sapone. Pulire anche la sezione di aspirazione, l'area di montaggio del sacchetto polvere/pacco polvere e il fermo polvere. **(Fig. 31)**

#### **ATTENZIONE:**

- Mai usare benzina, benzene, solventi, alcol e altre sostanze simili. Potrebbero causare scolorimenti, deformazioni o crepe.

Lavare il sacchetto polvere con acqua saponata quando è intasato di polvere e la potenza dell'aspiratore si riduce. Asciugarlo completamente prima dell'uso. Se il sacchetto polvere non è sufficientemente asciutto, potrebbe causare una scarsa aspirazione e ridurre la vita di servizio del motore. **(Fig. 32)**

#### **NOTA:**

- Il pacco polvere è del tipo a perdere.

Quando il filtro spugna è intasato di polvere, rimuoverlo dall'aspiratore e pulirlo o lavarlo in acqua.

#### **Rimozione e installazione del filtro spugna (Fig. 33 e 34)**

Per rimuovere il filtro spugna, rimuovere il sacchetto polvere o pacco polvere, pizzicarlo con due dita ed estrarlo. Premere dentro l'intero bordo del filtro spugna contro la parete incavata all'interno dell'area di montaggio del sacchetto polvere/pacco polvere.

#### **ATTENZIONE:**

- Dopo aver pulito il filtro spugna, installarlo nell'aspiratore. Se è stato lavato in acqua, asciugarlo prima di installarlo. Se il filtro spugna non è sufficientemente asciutto, potrebbe ridurre la vita di servizio del motore.



## Cosa controllare prima di chiamare il tecnico per la riparazione

Sintomo	Area da controllare	Metodo di correzione del problema
Forza di aspirazione debole	<ul style="list-style-type: none"><li>• Il sacchetto polvere o pacco carta è pieno di polvere?</li><li>• Il sacchetto polvere è intasato?</li><li>• Il pacco carta è intasato?</li><li>• La batteria è scarica?</li></ul>	<ul style="list-style-type: none"><li>• Svuotare il sacchetto polvere o pacco carta.</li><li>• Togliere la polvere o lavare il sacchetto polvere.</li><li>• Sostituire il pacco carta.</li><li>• Caricare la batteria.</li></ul>
L'aspiratore non funziona	<ul style="list-style-type: none"><li>• La batteria è scarica?</li></ul>	<ul style="list-style-type: none"><li>• Caricare la batteria.</li></ul>

011566

### NOTA:

- Non si deve cercare di riparare l'aspiratore da soli.

Per preservare la SICUREZZA e l'AFFIDABILITÀ del prodotto, le riparazioni, la manutenzione o la regolazione devono essere eseguite da un centro assistenza Makita autorizzato usando sempre ricambi Makita.

### NOTA:

- Alcuni articoli nella lista potrebbero essere inclusi nell'imballo dell'utensile come accessori standard. Essi potrebbero differire da Paese a Paese.

## ACCESSORI OPZIONALI

### ATTENZIONE:

- Questi accessori o raccordi sono consigliati per l'utilizzo con l'aspiratore Makita specificato in questo manuale. L'utilizzo di qualsiasi altro accessorio o ricambio potrebbe comportare il rischio di incidenti. Usare soltanto gli accessori o i ricambi per questo scopo prefissato.

Per maggiori dettagli riguardo a questi accessori, rivolgersi al Centro di Assistenza Makita locale.

- Prolunga (tubo diritto)
- Bocchetta
- Bocchetta per tappeti
- Spazzola per scaffali
- Accessorio per fessure
- Spazzola rotonda
- Manicotto flessibile
- Pacco carta
- Batteria e caricatore genuini Makita

**WAARSCHUWING:** Dit apparaat mag worden gebruikt door kinderen van 8 jaar en ouder of door personen met beperkte fysieke, zintuiglijke of verstandelijke vermogens of gebrek aan ervaring of kennis van zaken, maar alleen onder toezicht of na instructie in veilig gebruik van het apparaat, met begrip van de eventuele risico's. Kinderen mogen niet met het apparaat spelen. Reinigen en onderhoud van het apparaat mag niet door kinderen worden verricht, tenzij onder toezicht.

**Verklaring van algemene gegevens**

1 Rood aanduiding	9 Stofstopper	17 Mondstuk
2 Knop	10 Bovenkant van de stofstopper	18 Stofzuiger
3 Accu	11 Onderkant van de stofstopper	19 Verlengbuis
4 "OFF"-knop	12 Groef	20 Hoekmondstuk
5 "HIGH/LOW"-knop	13 Stoffen stofzak	21 Sponsfilter
6 Acculadinglampje	14 Onderste groef	22 Achterwand
7 Voordeksel	15 Opening in de stofzuiger	
8 Scharnier van voordeksel	16 Papieren stofzak	

**TECHNISCHE GEGEVENS**

Model		DCL142	DCL182
Inhoud	met stoffen stofzak	0,50 L	
	met papieren stofzak	0,33 L	
Ononderbroken gebruik	HIGH	Ong. 20 min.	
	LOW	Ong. 40 min.	
Totale lengte		986 mm	1 004 mm
Netto gewicht		1,3 kg	
Nominale spanning		14,4 V gelijkstroom	18 V gelijkstroom

- Als gevolg van ons doorlopende onderzoeks- en ontwikkelingsprogramma, zijn de technische gegevens onderhevig aan veranderingen zonder voorafgaande kennisgeving.
- De technische gegevens de accu kunnen van land tot land verschillen.
- Gewicht, inclusief accu, volgens de EPTA-procedure 01/2003

ENE017-1

**Gebruiksdoeleinden**

Het gereedschap is bedoeld om droog stof te verzamelen.

ENA005-4

**BELANGRIJK**

**VEILIGHEIDSIINSTRUCTIES**

Bij het gebruik van een elektrisch apparaat, moeten basisvoorzorgsmaatregelen altijd worden genomen, waaronder de volgende:

**LEES ALLE INSTRUCTIES ALVORENS DIT APPARAAT TE GEBRUIKEN.**

**WAARSCHUWING – Om de kans op brand of een elektrische schok te verkleinen:**

1. Stel niet bloot aan regen. Bewaar binnenshuis.
2. Sta niet toe dat ermee gespeeld wordt. Let goed op bij gebruik in de buurt van kinderen.
3. Gebruik uitsluitend zoals beschreven in deze gebruiksaanwijzing. Gebruik uitsluitend hulpstukken aanbevolen door de fabrikant.
4. Gebruik nooit met een beschadigde accu. Als het apparaat niet werkt zoals het zou moeten werken, is gevallen, is beschadigd buiten heeft gelegen of in het water is gevallen, stuurt u het terug naar een servicecentrum.
5. Hanteer het apparaat niet met natte handen.
6. Steek geen voorwerpen in de openingen. Gebruik het apparaat niet wanneer een opening verstopt zit, houd het apparaat vrij van stof, pluizen, haar en alles wat de luchtdoorstroming kan hinderen.
7. Houd haar, loshangende kleding, vingers en alle lichaamsdelen uit de buurt van de openingen en bewegende delen.

8. Schakel alle knoppen uit alvorens de accu eraf te halen.
9. Wees extra voorzichtig bij gebruik op een trap.
10. Zuig geen ontvlambare of brandbare vloeistoffen, zoals benzine, op en gebruik het niet op plaatsen waar deze aanwezig kunnen zijn.
11. Gebruik voor het opladen uitsluitend de acculader die door de fabrikant werd geleverd.
12. Zuig niets op dat brandt of rookt, zoals sigaretten, lucifers of hete as.
13. Gebruik het apparaat niet zonder dat de filters zijn aangebracht.
14. Laad de accu niet buitenshuis op.

## BEWAAR DEZE INSTRUCTIES.

Dit apparaat is bedoeld voor huishoudelijk gebruik.

ENB114-3

## AANVULLENDE VEILIGHEIDSVORSCHRIFTEN

1. Lees deze gebruiksaanwijzing en die van de acculader voor gebruik aandachtig door.
2. Zuig de volgende stoffen niet op:
  - Hete stoffen, zoals brandende sigaretten of gloeiend hete metaaldeeltjes veroorzaakt door het schuren/slijpen van metaal
  - Brandbare stoffen, zoals benzine, thinner, wasbenzine, kerosine of verf
  - Explosieve stoffen, zoals nitroglycerine
  - Ontvlambare stoffen, zoals aluminium, zink, magnesium, titanium, fosfor of celluloid
  - Nat vuil, water, olie en dergelijk
  - Harde stukjes met scherpe randen, zoals houtsnippers, metaaldeeltjes, steentjes, glastukjes, spijkers, punaises of scheermesjes
  - Poeder dat klontert, zoals cement of toner
  - Geleidend stof, zoals metaalvizel of koolstofpoeder
  - Zeer fijn stof, zoals cementpoeder

Een dergelijk gebruik kan leiden tot brand, persoonlijk letsel en/of materiële schade.

3. Stop onmiddellijk met het gebruik als u iets abnormaals opmerkt.
4. Als u de stofzuiger laat vallen of ergens tegenaan stoot, controleert u zorgvuldig op barsten of beschadigingen voordat u deze weer gebruikt.
5. Houd uit de buurt van fornuizen en verwarmingsbronnen.
6. Blokkeer de inlaatopening en de ventilatieopeningen niet.

## BEWAAR DEZE INSTRUCTIES.

ENC007-8

## BELANGRIJKE VEILIGHEIDSVORSCHRIFTEN

### VOOR ACCU

1. Lees alle voorschriften en waarschuwingen op (1) de acculader, (2) de accu, en (3) het product waarvoor de accu wordt gebruikt, aandachtig door alvorens de acculader in gebruik te nemen.
2. Neem de accu niet uit elkaar.

3. Als de gebruikstijd van een opgeladen accu aanzienlijk korter is geworden, moet u het gebruik ervan onmiddellijk stopzetten. Voortgezet gebruik kan oververhitting, brandwonden en zelfs een ontploffing veroorzaken.
4. Als er elektrolyt in uw ogen is terechtgekomen, spoel dan uw ogen met schoon water en roep onmiddellijk de hulp van een dokter in. Elektrolyt in de ogen kan blindheid veroorzaken.
5. Voorkom kortsluiting van de accu:
  - (1) Raak de acculemmen nooit aan met een geleidend materiaal.
  - (2) Bewaar de accu niet in een bak waarin andere metalen voorwerpen zoals spijkers, munten e.d. worden bewaard.
  - (3) Stel de accu niet bloot aan water of regen. Kortsluiting van de accu kan oorzaak zijn van een grote stroomafgifte, oververhitting, brandwonden, en zelfs defecten.
6. Bewaar het gereedschap en de accu niet op plaatsen waar de temperatuur kan oplopen tot 50°C of hoger.
7. Werp de accu nooit in het vuur, ook niet wanneer hij zwaar beschadigd of volledig versleten is. De accu kan namelijk ontploffen in het vuur.
8. Wees voorzichtig dat u de accu niet laat vallen en hem niet blootstelt aan schokken of stoten.
9. Gebruik nooit een beschadigde accu.
10. Volg bij het wegwerpen van de accu de plaatselijke geldende voorschriften.

## BEWAAR DEZE VOORSCHRIFTEN.

Tips voor een maximale levensduur van de accu

1. Laad de accu op voordat hij volledig ontladen is. Stop het gebruik van het gereedschap en laad de accu op telkens wanneer u vaststelt dat het vermogen van het gereedschap is afgenomen.
2. Laad een volledig opgeladen accu nooit opnieuw op. Als u de accu te veel oplaadt, zal hij minder lang meegaan.
3. Laad de accu op bij een kamertemperatuur tussen 10°C en 40°C. Laat een warme accu afkoelen alvorens hem op te laden.
4. Laad de accu zeker elk half jaar een keer op, ook als u deze geruime tijd lang niet gebruikt.

## BESCHRIJVING VAN DE FUNCTIES

### LET OP:

- Zorg altijd dat het gereedschap is uitgeschakeld en de accu ervan is verwijderd alvorens de functies op het gereedschap af te stellen of te controleren.
- Wees voorzichtig dat uw vinger(s) niet bekneld raken tussen de stofzuiger en de accu tijdens het aanbrengen van de accu, zoals aangegeven in de afbeelding. Beknelde vingers kunnen tot letsel leiden. (Fig. 1)

### Installeren of verwijderen van de accu (Fig. 2)

#### LET OP:

- Schakel het gereedschap altijd uit alvorens de accu te installeren of te verwijderen.

- **Houd het gereedschap en de accu stevig vast wanneer u de accu aanbrengt of verwijderd.** Als u het gereedschap en de accu niet stevig vasthoudt, zou er iets uit uw handen kunnen glijpen, met gevaar voor schade aan het gereedschap of de accu en eventuele verwonding.

Om de accu uit het gereedschap te halen, verschuift u de knop op de voorkant van de accu en trekt u de accu eraf. Om de accu te installeren, doet u de tong op de accu overeenkomen met de groef in de behuizing en dan schuift u de accu erin. Schuif de accu er altijd volledig in totdat die op zijn plaats vast klikt. Als u de rode aanduiding boven de knop kunt zien, is ze niet volledig vergrendeld.

#### LET OP:

- Schuif de accu volledig erin totdat de rode aanduiding niet meer zichtbaar is. Als u dit niet doet, kan de accu per ongeluk eruit vallen en uzelf of andere personen in uw omgeving verwonden.
- Druk de accu er niet met kracht in. Als de accu er niet gemakkelijk ingaat, betekent dit dat u hem niet op de juiste wijze erin steekt.

#### Accubeveiligingssysteem

De stofzuiger is voorzien van een beveiligingssysteem dat automatisch het uitgangsvermogen onderbreekt voor een langere levensduur.

De stofzuiger kan tijdens het gebruik stoppen wanneer het gereedschap en/of de accu zich in de volgende situatie bevinden. Dit wordt veroorzaakt door de inwerkingtreding van het beveiligingssysteem en duidt niet op een defect van de stofzuiger.

- Bij overbelasting van de stofzuiger:  
In dit het geval is, laat u de aan/uit-schakelaar los, heft u de oorzaak van de overbelasting op en knijpt u daarna de aan/uit-schakelaar weer in om weer te beginnen.
- Als de resterende acculading laag is:  
Laad de accu op.

#### Werking van de trekschakelaar (Fig. 3)

Om de stofzuiger te starten, drukt u gewoon op de "HIGH/LOW"-knop. Om de stofzuiger uit te schakelen, drukt u op de "OFF"-knop. Om het toerental van de stofzuiger te veranderen, drukt u op de "HIGH/LOW"-knop. Bij de eerste keer drukken op deze knop wordt het hoge toerental ingeschakeld, en bij de tweede keer drukken wordt het lage toerental ingeschakeld. Bij iedere verdere druk op deze knop wordt de hoog/laag-cyclus beurtelings herhaald.

#### Acculadinglampje (Fig. 4)

- Als de resterende acculading laag wordt, gaat het acculadinglampje knipperen.
- Als de resterende acculading nog lager wordt, stopt het gereedschap tijdens gebruik en gaat het acculadinglampje gedurende tien seconden branden. Als dit het geval is, verwijderd u de accu van het gereedschap en laadt u hem op.

#### OPMERKING:

- Het moment waarop het acculadinglampje gaat knipperen of branden is afhankelijk van de temperatuur op de werkplek en de toestand van de accu.

## INEENZETTEN

#### LET OP:

- Controleer altijd of het gereedschap is uitgeschakeld en de accu ervan is verwijderd alvorens enig werk aan het gereedschap uit te voeren.

#### Het stof weggooiën

#### LET OP:

- Leeg de stofzuiger voordat deze te vol raakt omdat dan de zuigkracht afneemt.
  - Vergeet niet het stof vanuit de stofzuiger zelf te verwijderen. Als u dit nalaat, kan het sponsfilter verstopt raken of de motor beschadigd raken.
  - Gooi de stofstopper nooit weg omdat deze iedere keer moet worden gebruikt wanneer de stoffen stofzak of de papieren stofzak wordt gebruikt.
1. Druk op de knop om het voordeksel te openen. Open het tot een klikgeluid hoorbaar is zodat het in die stand open blijft staan. **(Fig. 5)**

#### OPMERKING:

- De stofzuiger is zodanig gemaakt dat het voordeksel eraf komt wanneer geprobeerd wordt het voordeksel onder een hoek van meer dan 90° te openen. Als het voordeksel loskomt, steekt u deze weer op het scharnier op zijn plaats. **(Fig. 6)**

#### LET OP:

- Let er bij het sluiten van het voordeksel op dat uw vingers niet ertussen komen.
2. Trek zowel de oranjeleurge stofstopper als de stofzak tegelijk eruit. **(Fig. 7)**
  3. Haal de stofstopper eraf en leeg de stoffen stofzak. **(Fig. 8 en 9)**

#### Stoffen stofzak en papieren stofzak

Plaats een stoffen stofzak of een papieren stofzak voordat u de stofzuiger gebruikt.

Gebruik de stofstopper wanneer u een stoffen stofzak of een papieren stofzak plaatst.

Een stoffen stofzak kan vele malen gebruikt worden door deze regelmatig te legen.

De papieren stofzak is voor eenmalig gebruik. Als deze vol is, gooit u de hele papieren stofzak weg zonder deze te legen.

#### Een stoffen stofzak plaatsen

Gebruik de stofstopper bij het plaatsen van een stoffen stofzak. Wees voorzichtig de bovenkant en onderkant niet per ongeluk te verwisselen omdat deze van elkaar verschillen. **(Fig. 10)**

1. Steek het uitsteeksel van de stoffen stofzak in de groef van de stofstopper, zoals aangegeven in de afbeelding. **(Fig. 11)**
2. Er is geen verschil tussen de onder- en bovenkant van de stoffen stofzak. U mag het uitsteeksel van de onder- of bovenkant van de stofzak in de onderste groef van de stofstopper steken. **(Fig. 12)**
3. Laat de rand van de stofstopper over de rand van de stoffen stofzak vallen. **(Fig. 13)**
4. Steek de stofstopper en de stoffen stofzak tezamen in de opening van de stofzuiger in de richting van de pijl op de stofstopper. Steek deze helemaal in de sleuven in de opening van de stofzuiger. **(Fig. 14)**
5. Steek het gehele stoffen deel van de stoffen stofzak in de stofzuiger. **(Fig. 15)**
6. Sluit het voordeksel helemaal. **(Fig. 16)**

## Een papieren stofzak plaatsen

1. Vouw de ingang van de papieren stofzak open voordat u deze op de stofstopper plaatst. (Fig. 17)  
Gebruik de stofstopper ook bij het plaatsen van een papieren stofzak. Wees voorzichtig de bovenkant en onderkant niet per ongeluk te verwisselen omdat deze van elkaar verschillen. (Fig. 18)
2. Steek het uitsteeksel van de papieren stofzak in de groef van de stofstopper, zoals aangegeven in de afbeelding. (Fig. 19)
3. Er is geen verschil tussen de onder- en bovenkant van de papieren stofzak. U mag het uitsteeksel van de onder- of bovenkant van de stofzak in de onderste groef van de stofstopper steken. (Fig. 20)
4. Laat de rand van de stofstopper over de rand van de papieren stofzak vallen. (Fig. 21)
5. Steek de stofstopper en de papieren stofzak tezamen in de opening van de stofzuiger in de richting van de pijl op de stofstopper. Steek deze helemaal in de sleuven in de opening van de stofzuiger. (Fig. 22)
6. Steek het gehele papieren deel van de papieren stofzak in de stofzuiger. (Fig. 23)
7. Sluit het voordeksel helemaal.

### LET OP:

- Als u vergeet een stoffen of papieren stofzak in de stofzuiger te plaatsen, als u nalaat de stofstopper tezamen met de stoffen of papieren stofzak helemaal in de sleuven te steken, of als u een kapotte of gescheurde stofzak gebruikt, kan stof in de motor binnendringen. Hierdoor kan een storing in de motor optreden.
- Vouw het karton bij de opening niet dubbel bij het plaatsen van de papieren stofzak.
- Gooi de stofstopper nooit weg omdat deze iedere keer moet worden gebruikt wanneer de stoffen stofzak of de papieren stofzak wordt gebruikt.
- De papieren stofzak is een belangrijk onderdeel voor het behoud van de prestaties van de stofzuiger. Als een andere dan de originele stofzak wordt gebruikt, kan rookontwikkeling of ontbranding optreden.

## BEDIENING

### LET OP:

- Om een accessoire, zoals een mondstuk, aan te brengen, steekt u de accessoire in de zuigmond en verdraait u deze in de richting van de pijl om zeker te zijn van een stevige verbinding tijdens gebruik. Om de accessoire eraf te halen, verdraait u deze nogmaals in de richting van de pijl en trekt u de accessoire eraf. (Fig. 24)

## Schoonmaken (zuigen)

### Mondstuk (Fig. 25)

Bevestig het mondstuk voor het schoonmaken van tafels, bureaus, meubels, enz. Het mondstuk kan eenvoudig op de stofzuiger worden geplaatst.

### Mondstuk + verlengbuis (rechte buis) (Fig. 26)

De verlengbuis past tussen het mondstuk en de stofzuigermond. Deze werkwijze is handig bij het schoonmaken van de grond terwijl u rechtop staat.

### Hoekmondstuk (Fig. 27)

Bevestig het hoekmondstuk voor het schoonmaken van hoeken en spleten van meubels of in auto's.

### Hoekmondstuk + verlengbuis (rechte buis) (Fig. 28)

In kleine ruimten waar de stofzuiger zelf niet in past, of op hoge plaatsen die moeilijk te bereiken zijn, gebruikt u deze werkwijze.

### Stofzuigen zonder mondstuk (Fig. 29)

U kunt poeder en stof opzuigen zonder een mondstuk.

## ONDERHOUD

### LET OP:

- Zorg er altijd voor dat het gereedschap is uitgeschakeld voordat u een inspectie of onderhoud uitvoert.

### Na gebruik

### OPMERKING:

- Als de stofzuiger tegen een muur wordt gezet zonder enige ondersteuning, zal hij omvallen en beschadigd raken. (Fig. 30)

### Schoonmaken

Veeg regelmatig de buitenkant (behuizing) van de stofzuiger schoon met een in zeepwater bevochtigde doek. Maak tevens de stofzuigermond, opening voor de stoffen/papieren stofzak en de stofstopper schoon. (Fig. 31)

### LET OP:

- Gebruik nooit benzine, wasbenzine, thinner, alcohol en dergelijke. Hierdoor het verkleuring, vervormingen en barsten worden veroorzaakt.

Was de stoffen stofzak in zeepwater als deze verstopt zit met stof en de zuigkracht van de stofzuiger sterk is afgenomen. Droog deze goed alvorens weer te gebruiken. Een onvoldoende droge stoffen stofzak kan leiden tot slecht zuigen en kan de levensduur van de motor verkorten. (Fig. 32)

### OPMERKING:

- De papieren stofzak is voor eenmalig gebruik.

Als het sponsfilter verstopt zit met stof, haalt u deze uit de stofzuiger en veegt u deze schoon of wast u deze in water.

### Het sponsfilter eruit halen en terugplaatsen

#### (Fig. 33 en 34)

Om het sponsfilter eruit te halen, haalt u eerst de stoffen of papieren stofzak eruit, knijpt u in het sponsfilter en trekt u het eruit.

Duw de hele rand van het sponsfilter tegen de achterwand binnenin de opening voor de stoffen/papieren stofzak.

### LET OP:

- Vergeet na het schoonmaken van het sponsfilter niet om deze weer terug te plaatsen in de stofzuiger. Als het sponsfilter in water is gewassen, laat u het drogen voordat u het terugplaatst. Een onvoldoende droog sponsfilter kan de levensduur van de motor verkorten.

## Controleer de onderstaande punten alvorens te laten repareren

Symptoom	Mogelijke oorzaak	Mogelijke oplossing
Geringe zuigkracht	<ul style="list-style-type: none"><li>• Zit de stoffen of papieren stofzak vol met stof?</li><li>• Is de stoffen stofzak verstopt?</li><li>• Is de papieren stofzak verstopt?</li><li>• Is de accu leeg?</li></ul>	<ul style="list-style-type: none"><li>• Maak de stoffen of papieren stofzak leeg.</li><li>• Klop de stoffen stofzak uit of was hem.</li><li>• Vervang de papieren stofzak.</li><li>• Laad de accu op.</li></ul>
Apparaat werkt niet	<ul style="list-style-type: none"><li>• Is de accu leeg?</li></ul>	<ul style="list-style-type: none"><li>• Laad de accu op.</li></ul>

011566

### OPMERKING:

- Probeer de stofzuiger niet zelf te repareren.

Om de VEILIGHEID en BETROUWBAARHEID van het product te handhaven, dienen alle reparaties en alle andere onderhoudswerkzaamheden of afstellingen te worden uitgevoerd door een erkend Makita Servicecentrum, en dat uitsluitend met gebruik van Makita vervangingsonderdelen.

### OPMERKING:

- Sommige van de onderdelen in deze lijst kunnen bijgeleverd zijn als standaard-accessoires. Deze accessoires kunnen per land verschillend zijn.

## OPTIONELE ACCESSOIRES

### LET OP:

- Deze accessoires of hulpstukken worden aanbevolen voor gebruik met de Makita-stofzuiger die in deze gebruiksaanwijzing wordt beschreven. Het gebruik van andere accessoires of hulpstukken kan gevaar op persoonlijk letsel opleveren. Gebruik de accessoires of hulpstukken uitsluitend voor de aangegeven gebruiksdoeleinden.

Mocht u meer informatie willen hebben over deze accessoires, dan kunt u contact opnemen met uw plaatselijke Makita-servicecentrum.

- Verlengbuis (rechte buis)
- Mondstuk
- Mondstuk voor tapijt
- Boekenplankborstel
- Hoekmondstuk
- Ronde borstel
- Flexibele slang
- Papieren stofzak
- Originele Makita accu en acculader

**ADVERTENCIA:** Este aparato puede ser utilizado por niños de 8 o más años de edad y personas con capacidades físicas, sensoriales o mentales mermadas, o sin experiencia y conocimiento, si han recibido supervisión o instrucción para el uso del aparato de forma segura y son conscientes del peligro que implica. Los niños no deben jugar con el aparato. La limpieza y mantenimiento que debe hacer el usuario no deben ser realizados por niños sin supervisión.

**Explicación de los dibujos**

1	Indicador rojo	8	Junta de la cubierta frontal	15	Cavidad del aspirador
2	Botón	9	Tapón de polvo	16	Paquete de polvo
3	Cartucho de batería	10	Parte superior del tapón de polvo	17	Boquilla
4	Botón OFF	11	Parte inferior del tapón de polvo	18	Aspirador
5	Botón HIGH/LOW	12	Ranura	19	Tubo de extensión
6	Lámpara de energía de la batería	13	Bolsa de polvo	20	Boquilla para esquinas
7	Tapa delantera	14	Ranura inferior	21	Filtro de esponja
				22	Pared rebajada

**ESPECIFICACIONES**

Modelo		DCL142	DCL182
Capacidad	con bolsa de polvo	0,50 L	
	con paquete de papel	0,33 L	
Utilización continua	HIGH	Aprox. 20 min.	
	LOW	Aprox. 40 min.	
Longitud total		986 mm	1.004 mm
Peso neto		1,3 kg	
Tensión nominal		CC 14,4 V	CC 18 V

- Debido a nuestro continuo programa de investigación y desarrollo, las especificaciones en este manual están sujetas a cambio sin previo aviso.
- Las especificaciones y el cartucho de batería pueden diferir de país a país.
- Peso, con el cartucho de batería, de acuerdo con el procedimiento EPTA 01/2003

**Uso previsto**

La herramienta ha sido prevista para recoger polvo seco.

ENE017-1

ENA005-4

**IMPORTANTE**

**INSTRUCCIONES DE SEGURIDAD**

Quando se utiliza un aparato eléctrico, siempre se deben tomar precauciones básicas, incluidas las siguientes:

**LEA TODAS LAS INSTRUCCIONES ANTES DE UTILIZAR EL APARATO.**

**ADVERTENCIA – Para reducir el riesgo de sufrir un incendio, una descarga eléctrica o heridas:**

1. No exponga el aparato a la lluvia. Almacene el aparato en interiores.
2. No permita que el aparato sea utilizado como juguete. Es necesario prestar mucha atención cuando el aparato es utilizado cerca de niños.
3. Utilice el aparato solamente de la forma descrita en este manual. Utilice solamente los accesorios recomendados por el fabricante.
4. No utilice el aparato con una batería dañada. Si el aparato no está funcionando como es debido, si se ha dejado caer, se ha dañado, se ha dejado en exteriores, o se ha caído al agua, llévelo a un centro de servicio.
5. No maneje el aparato con las manos mojadas.

6. No ponga ningún objeto dentro de las aberturas. No utilice el aparato con ninguna de sus aberturas bloqueada; manténgalo libre de polvo, hilachas, pelo, y cualquier cosa que pueda reducir la circulación del aire.
7. Mantenga el pelo, ropa holgada, dedos, y todas las partes del cuerpo alejadas de las aberturas y partes en movimiento.
8. Desactive todos los controles antes de extraer la batería.
9. Utilice cuidado especial cuando limpie en escaleras.
10. No utilice el aparato para recoger líquidos inflamables o combustibles, tal como gasolina, ni en áreas donde pueda haber tales líquidos.
11. Utilice solamente el cargador suministrado por el fabricante para recargar.
12. No recoja nada que esté quemándose o echando humo, tal como cigarrillos, cerillas, o cenizas calientes.
13. No utilice el aparato sin los filtros instalados.
14. No cargue la batería en exteriores.

### GUARDE ESTAS INSTRUCCIONES.

Este aparato ha sido previsto para ser utilizado en el hogar.

ENB114-3

### NORMAS DE SEGURIDAD ADICIONALES

1. Lea este manual de instrucciones y el manual de instrucciones del cargador atentamente antes de utilizar el aparato.
2. No recoja los materiales siguientes:
  - Materiales calientes tales como cigarrillos encendidos o polvo de chispas/metales generado al cortar/amolar metales
  - Materiales inflamables tales como gasolina, disolvente, bencina, keroseno o pintura
  - Materiales explosivos como nitroglicerina
  - Materiales que puedan prenderse como aluminio, cinc, magnesio, titanio, fósforo o celuloide
  - Suciedad mojada, agua, aceite o similares
  - Piezas duras con bordes cortantes, tales como virutas de madera, metales, piedras, cristales, clavos, alfileres o cuchillas de afeitarse
  - Polvo que cuaje tales como cemento o tónor
  - Polvo conductivo como metales o carbón
  - Partículas finas como polvo de cemento
 Tales acciones podrán causar un incendio, heridas y/o daños a la propiedad.
3. Detenga inmediatamente la operación si nota algo anormal.
4. Si deja caer o golpea el aspirador, compruebe atentamente si tiene grietas o algún daño antes de iniciar la operación.
5. No lo acerque a estufas u otras fuentes de calor.
6. No bloquee el orificio de admisión ni los orificios de ventilación.

### GUARDE ESTAS INSTRUCCIONES.

## INSTRUCCIONES DE SEGURIDAD IMPORTANTES

### PARA EL CARTUCHO DE BATERÍA

1. Antes de utilizar el cartucho de batería, lea todas las instrucciones e indicaciones de precaución sobre (1) el cargador de baterías, (2) la batería, y (3) el producto con el que se utiliza la batería.
2. No desarme el cartucho de batería.
3. Si el tiempo de uso del cartucho de batería se acorta demasiado, deje de usarlo inmediatamente. Podría resultar en un riesgo de recalentamiento, posibles quemaduras e incluso una explosión.
4. Si entra electrolito en sus ojos, aclárelos con agua limpia y vea a un médico inmediatamente. Existe el riesgo de poder perder la vista.
5. No cortocircuite el cartucho de batería:
  - (1) No toque los terminales con ningún material conductor.
  - (2) Evite guardar el cartucho de batería en un cajón junto con otros objetos metálicos, tales como clavos, monedas, etc.
  - (3) No exponga el cartucho de batería al agua ni a la lluvia.
 Un cortocircuito en la batería puede producir una gran circulación de corriente, un recalentamiento, posibles quemaduras e incluso una rotura de la misma.
6. No guarde la herramienta ni el cartucho de batería en lugares donde la temperatura pueda alcanzar o exceder los 50°C.
7. Nunca incinere el cartucho de batería incluso en el caso de que esté dañado seriamente o ya no sirva en absoluto. El cartucho de batería puede explotar si se tira al fuego.
8. Tenga cuidado de no dejar caer ni golpear el cartucho de batería.
9. No utilice una batería dañada.
10. Siga los reglamentos locales referentes al desecho de la batería.

### GUARDE ESTAS INSTRUCCIONES.

Consejos para alargar al máximo la vida de servicio de la batería

1. Cargue el cartucho de batería antes de que se descargue completamente. Pare siempre la operación y cargue el cartucho de batería cuando note menos potencia en la herramienta.
2. No cargue nunca un cartucho de batería que esté completamente cargado. La sobrecarga acortará la vida de servicio de la batería.
3. Cargue el cartucho de batería a temperatura ambiente de 10°C – 40°C. Si un cartucho de batería está caliente, déjelo enfriar antes de cargarlo.
4. Cargue el cartucho de batería una vez cada seis meses si no lo utiliza durante un periodo de tiempo prolongado.



## DESCRIPCIÓN DEL FUNCIONAMIENTO

### PRECAUCIÓN:

- Asegúrese siempre de que la herramienta esté apagada y el cartucho de batería extraído antes de realizar cualquier ajuste o comprobación en la herramienta.
- Tenga cuidado de no pillarse el dedo(s) entre el aspirador y la batería como se muestra en el diagrama al instalar la batería. Si se pilla el dedo(s) podrá ocasionarse una herida. (Fig. 1)

### Instalación o desmontaje del cartucho de batería (Fig. 2)

#### PRECAUCIÓN:

- Apague siempre la herramienta antes de instalar o extraer el cartucho de batería.
- **Sujete la herramienta y el cartucho de batería firmemente cuando instale o extraiga el cartucho de batería.** Si no sujeta la herramienta y el cartucho de batería firmemente podrán caérsele de las manos y resultar en daños a la herramienta y cartucho de batería y heridas personales.

Para extraer el cartucho de batería, deslícelo de la herramienta a la vez que desliza el botón de la parte frontal del cartucho.

Para instalar el cartucho de batería, alinee la lengüeta del cartucho de batería con la acanaladura del alojamiento y deslícelo hasta encajarlo en su sitio. Insértelo a tope hasta que se bloquee en su sitio produciendo un pequeño chasquido. Si puede ver el indicador rojo en el lado superior del botón, no estará bloqueado completamente.

#### PRECAUCIÓN:

- Instale siempre el cartucho de batería completamente hasta que no pueda verse el indicador rojo. De lo contrario, podrá caerse de la herramienta accidentalmente, pudiendo ocasionarle heridas a usted o a alguien cerca de usted.
- No instale el cartucho de batería empleando fuerza. Si el cartucho no se desliza al interior fácilmente, será porque no está siendo insertado correctamente.

### Sistema de protección de la batería

La aspiradora está equipada con el sistema de protección, que corta automáticamente la alimentación para asegurar una larga vida de servicio.

La aspiradora podrá detenerse durante la operación cuando la aspiradora y/o la batería sean puestas en una de las situaciones siguientes. Esto es causado por la activación del sistema de protección y no significa un problema de la aspiradora.

- Cuando la aspiradora esté sobrecargada:  
En este momento, suelte el gatillo interruptor y elimine las causas de la sobrecarga y después apriete el gatillo interruptor otra vez para reanudar.
- Cuando la capacidad de batería restante sea baja:  
Cargue el cartucho de batería.

### Accionamiento del interruptor (Fig. 3)

Para poner en marcha la aspiradora, simplemente presione el botón "HIGH/LOW". Para apagar, presione el botón "OFF". Para cambiar la velocidad de la aspiradora, presione el botón "HIGH/LOW". La primera vez que se presiona este botón es para velocidad alta y la segunda para velocidad baja y después cada vez que se presiona este botón se repite el ciclo de velocidad alta/baja alternativamente.

### Lámpara de energía de la batería (Fig. 4)

- Cuando la capacidad de batería restante sea baja, la lámpara de energía de la batería parpadeará.
- Cuando la capacidad de batería restante sea muy baja, la herramienta se detendrá durante la operación y la lámpara de energía de la batería se encenderá durante unos diez segundos. En este momento, extraiga el cartucho de batería de la herramienta y cárguelo.

#### NOTA:

- El momento en que la lámpara de energía de la batería comience a parpadear o se encienda dependerá de la temperatura en el lugar de trabajo y las condiciones del cartucho de batería.

## MONTAJE

### PRECAUCIÓN:

- Asegúrese siempre de que la herramienta esté apagada y el cartucho de batería extraído antes de realizar cualquier trabajo en la herramienta.

### Eliminación del polvo

#### PRECAUCIÓN:

- Vacíe el aspirador antes de que se llene demasiado, o la fuerza de succión se debilitará.
- Asegúrese de vaciar el polvo del interior del propio aspirador. En caso contrario, es posible que el filtro de esponja se obstruya o el motor se dañe.
- No tire nunca el tapón de polvo porque deberá ser utilizado siempre que se use la bolsa de polvo o el paquete de polvo.

1. Presione el botón para abrir la cubierta frontal. Abrirla hasta que se oiga un chasquido permite una detención positiva en esa posición. (Fig. 5)

#### NOTA:

- El aspirador ha sido construido de tal manera que la cubierta frontal se soltará cuando se trate de abrirla a la fuerza a un ángulo de más de 90°. Si la cubierta frontal se suelta, insértela en su sitio en la junta de la cubierta frontal. (Fig. 6)

#### PRECAUCIÓN:

- Cuando vaya a cerrar la cubierta frontal, tenga cuidado de no pillarse los dedos.
2. Saque el tapón de polvo de color naranja y la bolsa de polvo juntos al mismo tiempo. (Fig. 7)
  3. Quite el tapón de polvo y vacíe el aspirador. (Fig. 8 y 9)

### Bolsa de polvo y paquete de papel

Instale la bolsa de polvo o bien el paquete de papel antes de utilizar el aspirador.

Utilice el tapón de polvo cuando instale la bolsa de polvo o el paquete de papel.

La bolsa de polvo se puede utilizar muchas veces repetidamente limpiándola.

El paquete de papel es de tipo desechable. Tire el paquete de papel entero sin vaciarlo cuando se haya llenado.

### Instalación de la bolsa de polvo

Utilice el tapón de polvo cuando instale la bolsa de polvo. Tenga cuidado de no confundir la parte superior con la parte inferior porque son diferentes la una a la otra. (Fig. 10)

1. Inserte la protuberancia de la bolsa de polvo en la ranura del tapón de polvo como se muestra en la figura. **(Fig. 11)**
2. No hay distinción entre las partes superior e inferior de la bolsa de polvo. Puede insertar la protuberancia de cualquiera de sus partes en la ranura inferior del tapón de polvo. **(Fig. 12)**
3. Sobreponga el armazón del tapón de polvo sobre el de la bolsa de polvo. **(Fig. 13)**
4. Ponga el tapón de polvo y la bolsa de polvo juntos dentro de la cavidad del aspirador en la misma dirección que la indicada por la flecha del tapón de polvo. Insértelos a tope en las ranuras de la cavidad del aspirador. **(Fig. 14)**
5. Ponga toda la parte de tela de la bolsa de polvo dentro de la propia herramienta. **(Fig. 15)**
6. Cierre la cubierta frontal completamente. **(Fig. 16)**

### Instalación del paquete de papel

1. Desdoble la entrada del paquete de papel antes de colocarla en el tapón de polvo. **(Fig. 17)**

Utilice el tapón de polvo también cuando instale el paquete de polvo. Tenga cuidado de no confundir el lado superior con el lado inferior porque son diferentes el uno del otro. **(Fig. 18)**

2. Inserte el saliente del paquete de polvo en la acanaladura del tapón de polvo como se muestra en la figura. **(Fig. 19)**
3. No hay distinción entre los lados superior e inferior del paquete de polvo. Puede insertar el saliente de cualquiera de los lados en la acanaladura inferior del tapón de polvo. **(Fig. 20)**
4. Solape el bastidor del tapón de polvo con el del paquete de polvo. **(Fig. 21)**
5. Ponga el tapón de polvo y el paquete de polvo juntos en la cavidad del aspirador en la misma dirección que la flecha del tapón de polvo. Insértelos a fondo en las ranuras de la cavidad del aspirador. **(Fig. 22)**
6. Ponga toda la parte del contenedor del paquete de polvo dentro de la propia herramienta. **(Fig. 23)**
7. Cierre la cubierta frontal completamente.

### PRECAUCIÓN:

- Si se olvida de instalar la bolsa de polvo o el paquete de polvo, o si no instala el tapón de polvo junto con la bolsa de polvo o el paquete de polvo a fondo en las ranuras o si utiliza una bolsa rota o rasgada, podrá permitir al polvo entrar en el motor. Esto podrá resultar en un fallo del motor.
- No doble el cartón en su abertura cuando instale el paquete de papel.
- No tire nunca el tapón de polvo porque deberá ser utilizado repetidamente siempre que se use la bolsa de polvo o el paquete de polvo.
- El paquete de papel para el aspirador es un componente importante para mantener el rendimiento de la herramienta. La utilización de otro paquete de papel distinto del genuino podrá ocasionar humos o ignición.

## OPERACIÓN

### PRECAUCIÓN:

- Para conectar accesorios, tales como boquillas, gire e inserte el accesorio en la dirección mostrada por la flecha para cerciorarse de que la conexión es segura durante la utilización. Para desconectar el accesorio, gire y extraiga también en la dirección mostrada por la flecha. **(Fig. 24)**

### Limpieza (Succión)

#### Boquilla (Fig. 25)

Coloque la boquilla para limpiar mesas, escritorios, muebles, etc. La boquilla se desliza fácilmente.

#### Boquilla + Tubo de extensión (Tubo recto) (Fig. 26)

El tubo de extensión se encaja entre la boquilla y el propio aspirador. Esta disposición resulta útil para limpiar un suelo estando de pie.

#### Boquilla para esquinas (Fig. 27)

Encaje la boquilla para esquinas para limpiar esquinas y resquicios de un automóvil o mueble.

#### Boquilla para esquinas + Tubo de extensión (Tubo recto) (Fig. 28)

En espacios reducidos donde el propio aspirador no puede entrar, o en lugares altos difíciles de alcanzar, utilice esta disposición.

### Limpieza sin boquilla (Fig. 29)

Puede recoger partículas y polvo sin la boquilla.

## MANTENIMIENTO

### PRECAUCIÓN:

- Asegúrese siempre de que la herramienta está apagada antes de intentar realizar una inspección o mantenimiento.

### Después del uso

#### NOTA:

- Si pone el aspirador contra la pared sin ningún otro soporte el aspirador podrá caerse y dañarse. **(Fig. 30)**

### Limpieza

De vez en cuando, limpie el exterior (cuerpo del aspirador) del aspirador utilizando un paño humedecido en agua jabonosa. Limpie también la abertura de succión, área de montaje de la bolsa de polvo/paquete de polvo y el tapón de polvo. **(Fig. 31)**

### PRECAUCIÓN:

- No utilice nunca gasolina, bencina, disolvente, alcohol o similares. Podría producir descoloración, deformación o grietas.

Lave la bolsa de polvo con agua jabonosa cuando esté obstruida con polvo y la potencia del aspirador disminuya. Séquela completamente antes de utilizarla. Una bolsa no secada suficientemente podrá ocasionar una succión deficiente y acortar la vida de servicio del motor. **(Fig. 32)**

#### NOTA:

- El paquete de polvo es de tipo desechable.

Cuando el filtro de esponja esté obstruido con polvo, quétele del aspirador y después límpielo o lávelo en agua.

## Desmontaje e instalación del filtro de esponja (Fig. 33 y 34)

Para desmontar el filtro de esponja, quite la bolsa de polvo o el paquete de polvo y después agárrelo con los dedos y extráigalo.

Presione hacia dentro todo el borde del filtro de esponja contra la pared rebajada dentro del área de montaje de la bolsa de polvo/paquete de polvo.

### PRECAUCIÓN:

- Después de limpiar el filtro de esponja, asegúrese de instalarlo en el aspirador. Si lo ha lavado en agua, séquelo antes de instalarlo. Un filtro de esponja insuficientemente seco puede acortar la vida de servicio del motor.

### Cosas a comprobar antes de solicitar reparación

Síntoma	Área a investigar	Método de fijación
Poca potencia de succión	<ul style="list-style-type: none"><li>• ¿Está la bolsa de polvo o el paquete de papel lleno de polvo?</li><li>• ¿Está la bolsa de polvo obstruida?</li><li>• ¿Está el paquete de papel obstruido?</li><li>• ¿Está el cartucho de batería agotado?</li></ul>	<ul style="list-style-type: none"><li>• Vacíe la bolsa de polvo o el paquete de papel.</li><li>• Vacíe el polvo o lave la bolsa de polvo.</li><li>• Reemplace el paquete de papel.</li><li>• Cargue el cartucho de batería.</li></ul>
No funciona	<ul style="list-style-type: none"><li>• ¿Está el cartucho de batería agotado?</li></ul>	<ul style="list-style-type: none"><li>• Cargue el cartucho de batería.</li></ul>

011566

### NOTA:

- No intente reparar el aspirador usted mismo.

Para mantener la **SEGURIDAD** y **FIABILIDAD** del producto, las reparaciones, el mantenimiento y los ajustes deberán ser realizados por un Centro de Servicio Autorizado de Makita, siempre con piezas de repuesto de Makita.

### NOTA:

- Algunos elementos de la lista podrán estar incluidos en el paquete de la herramienta como accesorios estándar. Pueden variar de un país a otro.

## ACCESORIOS OPCIONALES

### PRECAUCIÓN:

- Estos accesorios o acoplamientos están recomendados para utilizar con la aspiradora Makita especificada en este manual. La utilización de cualquier otro accesorio o acoplamiento podrá suponer un riesgo de sufrir heridas personales. Utilice los accesorios o acoplamientos solamente para el propósito que han sido diseñados.

Si necesita cualquier tipo de asistencia para más detalles en relación con estos accesorios, pregunte al centro de servicio Makita local.

- Tubo de extensión (Tubo recto)
- Boquilla
- Boquilla para alfombra
- Cepillo para estanterías
- Boquilla para esquinas
- Cepillo redondo
- Manguera flexible
- Paquete de papel
- Batería y cargador genuinos de Makita

## PORTUGUÊS (Instruções originais)

**AVISO:** Este aparelho pode ser utilizado por crianças com 8 anos e mais de idade e por pessoas com capacidades físicas, sensoriais ou mentais reduzidas ou com falta de experiência e conhecimento, se tiverem recebido supervisão ou instruções relativas à utilização segura do aparelho e conheçam os respetivos perigos. As crianças não devem brincar com o aparelho. A limpeza e manutenção pelo utilizador não devem ser realizadas por crianças sem supervisão.

### Explicação geral

1	Indicador vermelho	9	Protector de pó	16	Saco de papel
2	Botão	10	Lado superior do protector de pó	17	Bocal
3	Bateria		pó	18	Aspirador
4	Botão OFF	11	Lado inferior do protector de pó	19	Tube extensor
5	Botão HIGH/LOW	12	Encaixe	20	Bocal para cantos
6	Luz da bateria	13	Colector de pó	21	Filtro de esponja
7	Cobertura frontal	14	Encaixe inferior	22	Cavidade
8	Articulação da tampa frontal	15	Recipiente do aspirador		

### ESPECIFICAÇÕES

Modelo		DCL142	DCL182
Capacidade	com o colector de pó	0,50 L	
	com o saco de papel	0,33 L	
Utilização contínua	HIGH	Aprox. 20 min.	
	LOW	Aprox. 40 min.	
Comprimento total		986 mm	1.004 mm
Peso líquido		1,3 kg	
Tensão nominal		C.C. 14,4 V	C.C. 18 V

- Devido ao nosso programa contínuo de pesquisa e desenvolvimento, estas especificações podem ser alteradas sem aviso prévio.
- As especificações e a bateria podem diferir de país para país.
- Peso, com a bateria, de acordo com o Procedimento 01/2003 da EPTA (European Power Tool Association)

ENE017-1

#### Utilização a que se destina

Este aspirador serve para colectar pó seco.

ENA005-4

### IMPORTANTE

### INSTRUÇÕES DE SEGURANÇA

Quando utiliza aparelhos eléctricos, deve-se sempre observar as precauções básicas, inclusive as seguintes:

### LEIA TODAS AS INSTRUÇÕES ANTES DE UTILIZAR ESTE APARELHO.

**AVISO** – Para reduzir o risco de incêndio, choque eléctrico ou ferimentos:

1. Não exponha à chuva. Guarde dentro de casa.

2. Não permita que seja utilizado como brinquedo. Tenha cuidado especialmente quando o aparelho for utilizado por crianças ou próximo delas.
3. Utilize-o somente de acordo com as instruções deste manual. Utilize somente os acessórios recomendados pelo fabricante.
4. Não utilize com uma bateria danificada. Se o aparelho não funcionar correctamente, for derrubado, danificado, deixado ao ar livre ou cair na água, leve-o ao centro de assistência.
5. Não manuseie o aparelho com as mãos molhadas.
6. Não coloque nenhum objecto nas aberturas. Não o utilize com uma abertura bloqueada; mantenha-o limpo, sem poeira, pêlos, cabelos ou qualquer outra coisa que possa reduzir o fluxo de ar.
7. Mantenha os cabelos, roupas largas, dedos e outras partes do corpo afastadas das aberturas e das peças em movimento.
8. Desligue todos os controlos antes de retirar a bateria.
9. Tenha cuidado especialmente ao limpar escadas.

10. Não utilize para aspirar líquidos inflamáveis ou combustíveis, tal como gasolina, nem utilize em áreas onde esses produtos podem estar presentes.
  11. Utilize somente o carregador fornecido pelo fabricante para recarregar.
  12. Não utilize para aspirar algo que está a queimar ou a soltar fumo, tal como cigarros, fósforos ou cinzas quentes.
  13. Não aspire sem os filtros devidamente instalados.
  14. Não carregue a bateria ao ar livre.
3. Se o tempo de funcionamento se tornar excessivamente curto, pare o funcionamento imediatamente. Pode resultar em sobreaquecimento, possíveis queimaduras e mesmo explosão.
  4. Se entrar electrólito nos seus olhos, lave-os com água e consulte imediatamente um médico. Pode resultar em perda de visão.
  5. Não corte-circuite a bateria:
    - (1) Não toque nos terminais com qualquer material condutor.
    - (2) Evite guardar a bateria juntamente com outros objectos metálicos tais como pregos, moedas, etc.
    - (3) Não exponha a bateria à água ou chuva. Um curto-circuito pode ocasionar um enorme fluxo de corrente, sobreaquecimento, possíveis queimaduras e mesmo estragar-se.

## GUARDE ESTAS INSTRUÇÕES.

Este aparelho destina-se à utilização doméstica.

ENB114-3

## REGRAS DE SEGURANÇA ADICIONAIS

1. Antes de utilizar o aparelho, leia cuidadosamente este manual de instruções bem como o manual do carregador.
2. Não aspire os seguintes artigos:
  - Artigos quentes, tais como cigarros acesos ou faíscas/pó de metal produzidos ao esmerilar/cortar metal
  - Materiais inflamáveis, tais como gasolina, diluentes, benzeno, querosene ou tinta
  - Materiais explosivos como nitroglicerina
  - Materiais inflamáveis ou de auto-ignição, tais como alumínio, zinco, magnésio, titânio, fósforo ou celulóide
  - Sujidade húmida, água, óleo, etc.
  - Artigos rígidos com arestas cortantes, tais como aparas de madeira, metais, pedras, vidros, pregos, pinos e lâminas de barbear
  - Pó para solidificar, como cimento ou tónor
  - Pó condutivo, tal como metal ou carbono
  - Partículas minúsculas como de betão

Isso pode provocar incêndio, ferimentos e/ou danos à propriedade.

3. Desligue o aspirador imediatamente se notar qualquer funcionamento anormal.
4. Se deixar cair ou bater o aspirador, inspeccione cuidadosamente para ver se há rachaduras ou danos antes de utilizar.
5. Não aproxime de fogões nem de outras fontes de calor.
6. Não bloqueie os orifícios de entrada e saída de ar.

## GUARDE ESTAS INSTRUÇÕES.

ENC007-8

## IMPORTANTES INSTRUÇÕES DE SEGURANÇA

### PARA A BATERIA

1. Antes de utilizar a bateria, leia todas as instruções e etiquetas de precaução no (1) carregador de bateria (2) bateria e (3) produto que utiliza a bateria.
2. Não abra a bateria.

## GUARDE ESTAS INSTRUÇÕES.

### Conselhos para manter a máxima vida útil da bateria

1. Carregue a bateria antes que esteja completamente descarregada. Pare sempre o funcionamento da ferramenta e carregue a bateria quando notar menos poder na ferramenta.
2. Nunca carregue uma bateria completamente carregada. Carregamento excessivo diminui a vida útil da bateria.
3. Carregue a bateria à temperatura ambiente de 10°C – 40°C. Deixe que uma bateria quente arrefeça antes de a carregar.
4. Carregue a bateria uma vez a cada seis meses se não for utilizá-la por um longo período de tempo.

## DESCRIÇÃO FUNCIONAL

### PRECAUÇÃO:

- Certifique-se sempre de que a ferramenta está desligada e a bateria retirada antes de regular ou verificar qualquer função na ferramenta.
- Ao colocar a bateria, tome cuidado para não prender o(s) dedo(s) entre o aspirador e a bateria, como ilustrado no diagrama. Poderá sofrer ferimentos no(s) dedo(s). (Fig. 1)

### Instalar ou retirar a bateria (Fig. 2)

### PRECAUÇÃO:

- Desligue sempre a ferramenta antes de instalar ou retirar a bateria.

- **Segure firmemente na ferramenta e no cartucho da bateria quando instalar ou retirar o cartucho da bateria.** Se não segurar firmemente na ferramenta e no cartucho a bateria pode dar origem a que escorreguem das suas mãos e daí resultar danos para a ferramenta e para o cartucho da bateria e ferimentos corporais.

Para retirar a bateria, deslize-a da ferramenta deslizando o botão na parte da frente da bateria.

Para instalar a bateria, alinhe a lingueta na bateria com a ranhura na caixa e deslize-a para o seu lugar. Insira-o por completo até bloquear no lugar com um pequeno estalido. Se conseguir ver o indicador vermelho no lado superior do botão, não está completamente colocada.

#### **PRECAUÇÃO:**

- Instale sempre o cartucho da bateria por completo até o indicador vermelho não ser visto. Se assim não for, pode acidentalmente cair da ferramenta ferindo-o a si ou alguém próximo.
- Não instale o cartucho da bateria fazendo força. Se a bateria não deslizar facilmente é porque não foi colocada correctamente.

#### **Sistema de protecção da bateria**

O aspirador é equipado com um sistema de protecção que desactiva o consumo de energia automaticamente a fim de prolongar a sua vida útil.

O aspirador pode parar durante o funcionamento se a mesma e/ou a bateria se encontrar nas seguintes circunstâncias. Isso é devido à activação do sistema de protecção e não é sinal de avaria no aspirador.

- Se ocorrer a sobrecarga do aspirador:  
Solte o gatilho do interruptor, elimine a causa da sobrecarga e carregue no gatilho outra vez para reiniciar.
- Se a carga restante da bateria estiver baixa:  
Recarregue a bateria.

#### **Acção do interruptor (Fig. 3)**

Para ligar o aspirador, simplesmente prima o botão "HIGH/LOW". Para desligar, prima o botão "OFF". Para alterar a velocidade do aspirador, prima o botão "HIGH/LOW". A velocidade aumenta ao premir este botão pela primeira vez e diminui ao premir pela segunda vez; a partir de então, cada vez que preme o botão, o ciclo de velocidade alta/baixa é repetido alternadamente.

#### **Luz da bateria (Fig. 4)**

- Quando a carga restante da bateria está baixa, a luz da bateria pisca.
- Quando a capacidade da bateria diminui ainda mais, a ferramenta pára durante o funcionamento e a luz da bateria acende-se por uns dez segundos. Retire a bateria da ferramenta e recarregue-a.

#### **NOTA:**

- O momento que a luz da bateria começa a piscar ou acende-se depende da temperatura ambiente no local de trabalho e das condições da bateria.

### **ASSEMBLAGEM**

#### **PRECAUÇÃO:**

- Certifique-se sempre de que a ferramenta está desligada e a bateria retirada antes de executar qualquer manutenção na ferramenta.

### **Esvaziar**

#### **PRECAUÇÃO:**

- Esvazie o aspirador antes que fique muito cheio, pois do contrário a força de sucção diminuirá.
  - Lembre-se de limpar o pó de dentro do próprio aspirador. Se não limpar, o filtro de esponja pode ficar obstruído ou o motor pode ser danificado.
  - Não descarte o protector de pó, pois ele deve ser usado sempre que instalar o colector de pó ou o saco de papel.
1. Carregue no botão para abrir a tampa frontal. Abri-la até ouvir um clique permite uma parada positiva naquela posição. **(Fig. 5)**

#### **NOTA:**

- O aspirador é construído de tal modo que a tampa frontal se desprende quando se tenta forçá-la aberta em um ângulo de mais de 90°. Se a tampa frontal sair, introduza-a de volta na articulação. **(Fig. 6)**

#### **PRECAUÇÃO:**

- Tenha cuidado para não prender os dedos ao fechar a tampa frontal.
2. Tire ambos o protector de pó alaranjado e o colector de pó juntos, ao mesmo tempo. **(Fig. 7)**
  3. Retire o protector de pó e esvazie o aspirador. **(Fig. 8 e 9)**

#### **Colector de pó e saco de papel**

Instale o colector de pó ou o saco de papel antes de utilizar o aspirador.

Utilize o protector de pó quando instalar o colector de pó ou o saco de papel.

O colector de pó pode ser utilizado repetidas vezes desde que seja limpo.

O saco de papel é descartável. Quando estiver cheio, deite fora o saco de papel inteiro, sem esvaziar.

#### **Instalar o colector de pó**

Utilize o protector de pó quando instalar o colector de pó. Tenha cuidado para não confundir o lado superior com o lado inferior, pois são diferentes. **(Fig. 10)**

1. Insira a saliência do colector de pó no encaixe do protector, como ilustrado. **(Fig. 11)**
2. Não há distinção entre os lados superior e inferior do colector de pó. Pode-se inserir a saliência de qualquer um dos lados no encaixe inferior do protector de pó. **(Fig. 12)**
3. Junte os dois sobrepondo a borda do protector de pó com a do colector de pó. **(Fig. 13)**
4. Coloque o protector e o colector de pó juntos no recipiente do aspirador, no mesmo sentido que o indicado pela seta no protector de pó. Insira ambos nos encaixes do recipiente do aspirador o máximo possível. **(Fig. 14)**
5. Coloque toda a parte de tecido do colector de pó dentro do aspirador. **(Fig. 15)**
6. Feche a tampa frontal totalmente. **(Fig. 16)**

#### **Instalar o saco de papel**

1. Desdobre a boca do saco de papel antes de o instalar no protector de pó. **(Fig. 17)**

Utilize também o protector de pó quando instala o saco de papel. Tenha cuidado para não confundir o lado superior com o lado inferior, pois são diferentes. **(Fig. 18)**

2. Encaixe a saliência do saco de papel na ranhura do protector de pó, como ilustrado. **(Fig. 19)**

3. Não há distinção entre os lados superior e inferior do saco de papel. Pode-se inserir a saliência de qualquer um dos lados na ranhura inferior do protector de pó. **(Fig. 20)**
4. Junte os dois sobrepondo a borda do protector de pó com a do saco de papel. **(Fig. 21)**
5. Coloque o protector de pó e o saco de papel juntos no encaixe do recipiente do aspirador, no mesmo sentido que o indicado pela seta no protector de pó. Insira ambos nos encaixes do recipiente do aspirador o máximo possível. **(Fig. 22)**
6. Coloque o saco de papel inteiro dentro do aspirador. **(Fig. 23)**
7. Feche a tampa frontal totalmente.

#### **PRECAUÇÃO:**

- Se esquecer-se de instalar o colector de pó ou o saco de papel, se não encaixar bem o protector de pó junto com o colector de pó ou saco de papel ou se utilizar um saco rasgado ou danificado, o pó pode entrar no motor. Isso pode provocar a falha do motor.
- Não dobre a abertura do papelão ao instalar o saco de papel.
- Não deite fora o protector de pó, pois ele deve ser utilizado sempre que instalar o colector de pó ou o saco de papel.
- O saco de papel do aspirador é um componente importante para manter o bom desempenho da ferramenta. A utilização de sacos de papel não genuínos pode provocar fumo ou incêndio.

## **FUNCIONAMENTO**

#### **PRECAUÇÃO:**

- Para instalar os acessórios, tal como o bocal, coloque e gire o acessório no sentido da seta para que fique seguro durante a utilização. Para retirar o acessório, desenrosque-o no sentido da seta. **(Fig. 24)**

### **Limpeza (Sucção)**

#### **Bocal (Fig. 25)**

Instale o bocal para limpar mesas, secretárias, móveis, etc. O bocal encaixa com facilidade.

#### **Bocal + tubo extensor (tubo recto) (Fig. 26)**

O tubo extensor é conectado entre o bocal e o aspirador. Este arranjo é conveniente para manter uma boa postura ao fazer a limpeza de solos.

#### **Bocal para cantos (Fig. 27)**

Encaixe o bocal para cantos para limpeza de cantos e frestas de carros ou móveis.

#### **Bocal para cantos + tubo extensor (tubo recto) (Fig. 28)**

Utilize este arranjo para limpar em locais estreitos onde o aspirador não entra ou em locais altos.

### **Limpeza sem o bocal (Fig. 29)**

É possível fazer a aspiração de pó sem o bocal.

## **MANUTENÇÃO**

#### **PRECAUÇÃO:**

- Certifique-se sempre de que o aspirador esteja desligado antes de executar qualquer inspecção ou manutenção no mesmo.

## **Depois da utilização**

#### **NOTA:**

- Se deixar o aspirador contra a parede sem qualquer apoio, o mesmo pode cair e provocar avarias. **(Fig. 30)**

### **Limpeza**

Limpe periodicamente o exterior do aspirador (armação) com um pano humedecido em água e sabão. Limpe também a abertura de sucção, área de instalação do colector de pó/saco de papel e o protector de pó. **(Fig. 31)**

#### **PRECAUÇÃO:**

- Nunca utilize gasolina, benzina, diluente, álcool ou produtos semelhantes. Pode ocorrer a descoloração, deformação ou rachaduras.

Lave o colector de pó com água e sabão quando este estiver obstruído com pó e quando houver redução da potência. Seque-o completamente antes de utilizar. Se o colector que não estiver bem seco, pode prejudicar a sucção e diminuir a vida útil do motor. **(Fig. 32)**

#### **NOTA:**

- O saco de papel é descartável.

Se o filtro de esponja estiver obstruído com pó, retire-o do aspirador e limpe ou lave-o com água.

### **Remoção e instalação do filtro de esponja (Fig. 33 e 34)**

Para retirar o filtro de esponja, primeiro retire o colector de pó ou o saco de papel e, então, retire-o.

Prima a borda inteira do filtro de esponja contra o recesso na superfície interna da área de instalação do colector de pó/saco de papel.

#### **PRECAUÇÃO:**

- Certifique-se de instalar o filtro de esponja no aspirador depois de o limpar. Se lavar com água, deixe-o secar antes de instalar. Um filtro de esponja que não esteja bem seco pode diminuir a vida útil do motor.

## Pontos a verificar antes de solicitar assistência técnica

Sintoma	Área a verificar	O que fazer
Potência de sucção fraca	<ul style="list-style-type: none"><li>• O colector de pó ou o saco de papel está cheio?</li><li>• O colector de pó está obstruído?</li><li>• O saco de papel está obstruído?</li><li>• A bateria está descarregada?</li></ul>	<ul style="list-style-type: none"><li>• Esvazie o colector de pó ou o saco de papel.</li><li>• Limpe ou lave o colector de pó.</li><li>• Troque o saco de papel.</li><li>• Recarregue a bateria.</li></ul>
Não funciona	<ul style="list-style-type: none"><li>• A bateria está descarregada?</li></ul>	<ul style="list-style-type: none"><li>• Recarregue a bateria.</li></ul>

011566

### NOTA:

- Não tente consertar o aspirador.

Para manter a SEGURANÇA e FIABILIDADE, as reparações e outras acções de manutenção ou ajustes devem ser executados pelos centros de assistência autorizados da Makita, utilizando sempre peças de substituição Makita.

### NOTA:

- Alguns itens da lista podem estar incluídos na embalagem da ferramenta como acessórios padrão. Eles podem variar de país para país.

## ACESSÓRIOS OPCIONAIS

### PRECAUÇÃO:

- Os acessórios ou peças especificados neste manual são recomendados para utilização com o seu aspirador Makita. A utilização de qualquer outro acessório ou conector pode apresentar riscos de ferimentos pessoais. Utilize o acessório ou conector apenas para o fim a que se destina.

Se desejar informações detalhadas acerca desses acessórios, solicite ao centro de assistência técnica Makita local.

- Tubo extensor (tubo recto)
- Bocal
- Bocal para carpete
- Escova para prateleiras
- Bocal para cantos
- Escova redonda
- Mangueira flexível
- Saco de papel
- Bateria e carregador genuínos da Makita



**ADVARSEL:** Denne maskine kan bruges af børn på 8 år og derover og af personer med nedsatte fysiske, sensoriske eller mentale evner eller manglende erfaring eller viden, hvis de er under opsyn eller har modtaget instruktion i sikker anvendelse af maskinen og forstår de farer, der er involveret. Børn må ikke lege med maskinen. Rengøring og brugervedligeholdelse må ikke udføres af børn, der ikke er under opsyn.

### Illustrationsoversigt

1 Rød indikator	9 Støvstopper	17 Mundstykke
2 Knap	10 Støvstoppers overside	18 Støvsuger
3 Akku	11 Støvstoppers underside	19 Forlængerstav
4 Afbryderknap (OFF)	12 Rille	20 Hjørnemundstykke
5 Høj/lav-knap (HIGH/LOW)	13 Støvpose	21 Svampefilter
6 Akkueffektlampe	14 Nederste rille	22 Tilbageliggende væg
7 Fordæksel	15 Støvsugers tomrum	
8 Frontdækselled	16 Støvpakke	

### SPECIFIKATIONER

Model		DCL142	DCL182
Kapacitet	med en støvpose	0,50 L	
	med en papirpakke	0,33 L	
Kontinuerlig anvendelse	HØJ (HIGH)	Ca. 20 min.	
	LAV (LOW)	Ca. 40 min.	
Længde i alt		986 mm	1 004 mm
Nettovægt		1,3 kg	
Mærkespænding		D.C. 14,4 V	D.C. 18 V

- På grund af vores kontinuerlige forskningsprogrammer og udvikling, kan hosstående specifikationer blive ændret uden varsel.
- Specifikationer og akku kan variere fra land til land.
- Vægt inklusive akku, i henhold til EPTA-Procedure 01/2003

ENE017-1

#### Korrekt anvendelse

Denne støvsuger er beregnet til opugning af tørt støv.

ENA005-4

### VIKTIGT

#### SIKKERHEDSFORSKRIFTER

Når et elektrisk apparat anvendes, bør de elementære sikkerhedsregler altid følges, inklusive følgende:

**LÆS ALLE INSTRUKTIONER INDEN DETTE APPARAT TAGES IBRUG.**

**ADVARSEL – Risikoen for brand, elektrisk stød og tilskadekomst kan reduceres ved at man iagttager følgende:**

1. Udsæt ikke støvsugeren for regn. Opbevar støvsugeren inden døre.
2. Støvsugeren må ikke anvendes som legetøj. Nøje overvågning er nødvendig, hvis støvsugeren anvendes af eller i nærheden af børn.
3. Anvend kun støvsugeren som beskrevet i denne brugsvejledning. Anvend kun tilbehørsdele, som anbefales af fabrikanten.
4. Anvend ikke støvsugeren med et beskadiget batteri. Hvis støvsugeren ikke virker som den skal, er blevet tabt, efterladt uden døre eller har været under vand, skal den indleveres til et service-center til eftersyn.
5. Rør ikke ved støvsugeren med våde hænder.
6. Stik ikke nogen genstande ind i åbningerne. Anvend ikke støvsugeren med blokerede åbninger. Hold den fri for støv, fnug, hår og alt hvad der kan hindre luftstrømmen.
7. Hold hår, løse beklædningsgenstande og alle kropsdele på god afstand af åbningerne og de bevægende dele.
8. Deaktiver alle kontroller, inden batteriet tages ud.

9. Udvis ekstra forsigtighed ved rengøring på trapper.
10. Anvend ikke støvsugeren til at opsuge antændelige eller brændbare væsker, som for eksempel benzin, og anvend ikke støvsugeren på steder, hvor disse væsker kan forefindes.
11. Anvend kun den oplader, som leveres af fabrikanten til genopladning.
12. Opsug ikke noget, som brænder eller ryger, som for eksempel cigaretter, tændstikker eller varm aske.
13. Anvend ikke støvsugeren uden at filtrene er sat på plads.
14. Oplad ikke batteriet uden døre.

## GEM DISSE INSTRUKTIONER

Denne støvsuger er beregnet til husholdningsbrug.

ENB114-3

## SUPPLERENDE SIKKERHEDSREGLER

1. Læs denne brugsvejledning og instruktionerne for opladning grundigt inden brugen.
2. Undlad at samle de følgende materialer op:
  - Varme materialer, som for eksempel tændte cigaretter eller gnister/metalstøv, som er frembragt ved slibning/skæring af metal
  - Brændbare materialer som for eksempel benzin, fortynder, rensbenzin, petroleum og maling
  - Eksplosive materialer som for eksempel nitroglycerin
  - Antændelige materialer som for eksempel aluminium, zink, magnesium, titan, fosfor eller celluloid
  - Vådt snavs, vand, olie og lignende
  - Hårde genstande med skarpe kanter, som for eksempel træspåner, metal, sten, glas, knappenåle søm og barberblade
  - Pulver, der størkner, som for eksempel cement og toner
  - Ledende støv som for eksempel metal eller kulfiber
  - Fine partikler som for eksempel betonstøv

Dette kan være årsag til brand, tilskadekomst og/eller materiel skade.
3. Hold øjeblikkeligt op med at anvende støvsugeren, hvis noget unormalt registreres.
4. Hvis De kommer til at tabe eller støde til støvsugeren, skal De omhyggeligt efterse den for revner eller anden beskadigelse inden brugen.
5. Hold støvsugeren på god afstand af ovne og andre varmekilder.
6. Undlad at blokere indsugningsåbningen og ventilationshullerne.

## GEM DISSE INSTRUKTIONER.

## VIGTIGE SIKKERHEDSFORSKRIFTER

### FOR AKKU-PATRON

1. Læs alle instruktioner og advarselmærkater på (1) akku opladeren, (2) akku og (3) produktet, som anvender akku.
2. Lad være med at skille akkuen ad.
3. Hold straks op med at anvende opladeren, hvis brugstiden er blevet stærkt afkortet. Fortsat anvendelse kan resultere i risiko for overophedning, forbrændinger og endog eksplosion.
4. Hvis du har fået elektrolytvæske i øjnene, skal du straks skylle den ud med rent vand og derefter øjeblikkeligt søge lægehjælp. I modsat fald kan resultatet blive, at du mister synet.
5. Vær påpasselig med ikke at komme til at kortslutte akkuen:
  - (1) Rør ikke ved terminalerne med noget ledende materiale.
  - (2) Undgå at opbevare akkuen i en beholder sammen med andre genstande af metal, som for eksempel søm, mønter og lignende.
  - (3) Udsæt ikke akkuen for vand eller regn. Kortslutning af akkuen kan være årsag til en kraftig øgning af strømmen, overophedning, mulige forbrændinger og endog maskinstop.
6. Opbevar ikke maskinen og akkuen på et sted, hvor temperaturen kan nå eller overstige 50°C.
7. Lad være med at brænde akkuen, selv ikke i tilfælde, hvor det har lidt alvorlig skade eller er fuldstændig udtjent. Akkuen kan eksplodere, hvis man forsøger at brænde den.
8. Lad være med at brænde akkuen eller udsætte det for stød.
9. Anvend ikke en beskadiget akku.
10. Følg de lokale regler angående bortskaffelse af akkuer.

## GEM DENNE BRUGSANVISNING.

### Tips til opnåelse af maksimal akku-levetid

1. Oplad altid akkuen, inden den er helt afladet. Stop altid maskinen og oplad akkuen, hvis det bemærkes, at maskineffekten er dalende.
2. Genoplad aldrig en fuldt opladet akku. Overopladning vil afkorte akkuens levetid.
3. Oplad akkuen ved stuetemperatur ved 10°C – 40°C. Lad altid en varm akku få tid til at køle af, inden den oplades.
4. Oplad akkuen en gang hver sjette måned, hvis den ikke anvendes i et længere tidsrum.

## FUNKTIONSBESKRIVELSE

### FORSIGTIG:

- Sørg altid for at maskinen er slukket, og at akkuen er taget ud, før der udføres justering eller kontrol af funktioner på maskinen.
- Vær påpasselig med ikke at få fingeren (fingerne) i klemme mellem støvsugeren og batteriet som vist på illustrationen, når De sætter batteriet i. Hvis De får fingeren (fingerne) i klemme, kan De komme til skade. (Fig. 1)

## Isætning og udtagning af akku (Fig. 2)

### FORSIGTIG:

- Sluk altid for maskinen, før akkuen installeres eller tages ud.
- **Hold godt fast i maskinen og akkuen, når akkuen installeres eller fjernes.** Forsømmelse af at holde godt fast i maskinen og akkuen, kan bevirke, at disse glider ud af hænderne på Dem, hvilket kan resultere i beskadigelse af maskinen og akkuen samt tilskadekomst.

Akkuen fjernes ved at man skyder den ud af maskinen, mens man skyder knappen foran på akkuen i stilling. Installer akkuen ved at rette dens tunge ind efter rillen i huset. Sæt den hele vejen ind, så den låses på plads med et lille klik. Hvis den røde indikator kan ses på den øverste side af knappen, er den ikke helt låst.

### FORSIGTIG:

- Sæt altid akkuen helt ind, så den røde indikator ikke kan ses. Hvis akkuen ikke sættes i på denne måde, kan den ved et uheld falde ud af maskinen, og eventuelt forvolde personskade på Dem selv eller andre.
- Sæt ikke akkuen i med magt. Hvis ikke akkuen glider i uden besvær, er det fordi, at den vender forkert.

## Akkuebeskyttelsessystem

Støvsugerens er udstyret med et beskyttelsessystem, som automatisk afbryder udgangsstrømmen med det formål at forlænge levetiden.

Støvsugerens kan stoppe under anvendelsen, hvis den og/eller akkuen er i den følgende situation. Dette er forårsaget af aktivering af beskyttelsessystemet og er ikke tegn på problemer med støvsugerens.

- Hvis støvsugerens er overbelastet:  
Frigør på dette tidspunkt afbryderknappen og eliminer årsagen til overbelastningen og træk derefter afbryderknappen igen for at starte igen.
- Når den tilbageværende akku-kapacitet er blevet lav:  
Genoplad akkuen.

## Afbryderbetjening (Fig. 3)

For at starte støvsugerens, behøver man blot at trykke på "HIGH/LOW"-knappen. For at afbryde, trykkes på "OFF"-knappen. For at ændre støvsugerens hastighed, trykkes der på "HIGH/LOW"-knappen. Det første tryk på denne knap er for høj hastighed og det andet tryk for lav hastighed, og hvert efterfølgende tryk på denne knap gentager høj/lav hastighedszyklen skiftevis.

## Akkueeffektlampe (Fig. 4)

- Når den tilbageværende akku-kapacitet er blevet lav, vil akkueffektlampen begynde at blinke.
- Når den tilbageværende akku-kapacitet er blevet meget lavere, vil maskinen stoppe under arbejdet og akkueffektlampen vil lyse i omkring 1 sekund. Fjern på dette tidspunkt akkuen fra maskinen og oplad den.

### BEMÆRK:

- Hvornår akkueffektlampen begynder at blinke eller lyse, afhænger af temperaturen på arbejdsstedet og akkuens tilstand.

## SAMLING

### FORSIGTIG:

- Sørg altid for at maskinen er slukket, og at akkuen er taget ud, før der udføres noget arbejde på maskinen.

## Bortskaffelse af støv

### FORSIGTIG:

- Tøm støvsugerens, inde den bliver for fuld ellers formindskes sugekraften.
- Sørg for at tømme støvet ud af selve støvsugerens. Forsømmelse af at gøre dette kan bevirke, at svampefilteret tilstoppes eller motoren lider skade.
- Smid aldrig støvstopperen ud, da den bør anvendes, hver gang enten støvposen eller støvpakken anvendes.
  1. Tryk på knappen for at åbne frontdækslet. Hvis det åbnes, indtil der høres et klik, vil et positivt stop i den stilling være muligt. (Fig. 5)

### BEMÆRK:

- Støvsugerens er konstrueret på en sådan måde, at frontdækslet går af, hvis man prøver på at tvinge frontdækslet åbent i en vinkel på mere end 90°. Hvis frontdækslet går af, skal det sættes på plads igen i frontdækslets led. (Fig. 6)

### FORSIGTIG:

- Vær særlig påpasselig med ikke at få fingrene i klemme, når De lukker frontdækslet.
  2. Træk begge de orangefarvede støvstopper og støvposen ud sammen og samtidigt. (Fig. 7)
  3. Fjern støvstopperen og tøm støvsugerens. (Fig. 8 og 9)

## Støvpose og papirpakke

Installer enten støvpose eller papirpakke, inden støvsugerens tages i brug.

Anvend støvstopperen, når enten støvposen eller papirpakken installeres.

Støvposen kan anvendes mange gange i rækkefølge ved at man rengør den.

Papirpakken er af smid-væk typen. Smid hele papirpakken væk uden at tømme den, når den er blevet fuld.

## Installation af støvposen

Anvend støvstopperen, når støvposen installeres. Vær påpasselig med ikke at komme til at bytte om på overside og underside, da de ikke er ens. (Fig. 10)

1. Sæt fremspringet på støvposen ind i rillen på støvstopperen som vist på illustrationen. (Fig. 11)
2. Der er ingen forskel på den øverste og nederste side på støvposen. Fremspringet på begge sider kan sættes ind i den nederste rille på støvstopperen. (Fig. 12)
3. Overlap rammen på støvstopperen med støvposens ramme. (Fig. 13)
4. Sæt støvstopperen og støvposen sammen ind i støvsugerens tomrum i den retning, som er angivet med pilen på støvstopperen. Sæt dem hele vejen ind i åbningerne i støvsugerens tomrum. (Fig. 14)
5. Anbring hele stofdelen af støvposen inden i selve støvsugerens. (Fig. 15)
6. Luk frontdækslet helt. (Fig. 16)

## Isætning af papirpakken

1. Åbn indgangen på papirpakken, inden De sætter den på støvstopperen. (Fig. 17)

Anvend også støvstopperen, når støvpakken monteres. Vær påpasselig med ikke ved en fejl at regne oversiden for undersiden, da de er forskellige fra hinanden. (Fig. 18)

2. Sæt fremspringet på støvpakken ind i rillen på støvstopperen som vist på illustrationen. (Fig. 19)

- Der er ingen forskel på støvpakkens øvre og nedre sider. Dens fremspring kan sættes ind begge sider i den nedre rille på støvstopperen. (Fig. 20)
- Overlap støvstopperens ramme med støvpakkens ramme. (Fig. 21)
- Anbring støvstopperen og støvpakken sammen i støvsugerrummet i samme retning som pilen på støvstopperen. Sæt dem hele vejen ind i sprækkerne i støvsugerrummet (Fig. 22)
- Anbring hele støvpakkens beholderdel inden i selve maskinen. (Fig. 23)
- Luk frontdækslet helt.

#### **FORSIGTIG:**

- Forglemmelse af at montere støvposen eller støvpakken, forsømmelse af at sætte støvstopperen ind sammen med støvposen eller støvpakken hele vejen ind i sprækkerne eller anvendelse af en ødelagt eller revnet pose kan bevirke, at der kommer støv ind i motoren. Dette kan resultere i motorsvigt.
- Undlad at folde pappet ved åbningen, når De monterer papirpakken.
- Smid aldrig støvstopperen væk, da den skal anvendes gentagne gange, hver gang støvposen eller støvpakken anvendes.
- Papirpakken til støvsugeren er en vigtig del til sikring af maskinens ydelse. Anvendelse af andre papirpakker end de ægte kan medføre røgdannelse eller antændelse.

## **ANVENDELSE**

#### **FORSIGTIG:**

- For at tilslutte tilbehørsdele, som for eksempel mundstykket, skal man dreje og isætte tilbehørsdelen i retningen vist med pilen for at sikre, at den sidder fast under brugen. For at frigøre tilbehørsdelen, skal man ligeledes dreje og udtække delen i retningen vist med pilen. (Fig. 24)

### **Rengøring (sugning)**

#### **Mundstykke (Fig. 25)**

Sæt mundstykket på, når De vil rengøre borde, skriveborde, møbler og lignende. Mundstykket sættes nemt på.

#### **Mundstykke + forlængerstav (lige rør) (Fig. 26)**

Forlængerstaven kan sættes ind mellem mundstykket og selve støvsugeren. Dette arrangement er bekvemt ved rengøring af et gulv, så man ikke behøver bøje sig under støvsugning.

#### **Hjørnemundstykke (Fig. 27)**

Monter hjørnemundstykket til rengøring af hjørner og sprækker i en bil eller møbler.

#### **Hjørnemundstykke + forlængerstav (lige rør) (Fig. 28)**

Anvend dette arrangement på trange steder, hvor selve støvsugeren ikke kan komme ind, eller i højden, hvor det er svært at nå op.

### **Rengøring uden mundstykke (Fig. 29)**

Det er muligt at opsamle pulver og støv uden anvendelse af et mundstykke.

## **VEDLIGEHOJDELSE**

#### **FORSIGTIG:**

- Sørg altid for, at der er slukket for støvsugeren, inden inspektion eller vedligeholdelse påbegyndes.

#### **Efter brug**

#### **BEMÆRK:**

- Anbringelse af støvsugeren mod væggen uden anden støtte kan bevirke, at den vælter og lider skade. (Fig. 30)

#### **Rengøring**

Aftrø fra tid til anden ydersiden (støvsugerens ydre) af støvsugeren med en klud, som er fugtet med sæbevand. Rengør sugeåbningen, støvposens/støvpakkens monteringsområde og støvstopperen. (Fig. 31)

#### **FORSIGTIG:**

- Anvend aldrig benzin, rensebenzin, fortynder, alkohol og lignende. Resultatet kan blive misfarvning, deformation eller revner.

Vask støvposen med sæbevand, hvis den er blevet tilstoppet af støv og støvsugerens ydelse er blevet svagere. Tør den grundigt inden ibrugtagning. En utilstrækkeligt tørret pose kan være årsag til dårlig sugning og afkorte motorens levetid. (Fig. 32)

#### **BEMÆRK:**

- Støvpakken er af smid-væk typen.

Hvis svampefilteret er tilstoppet af støv, skal det tages af støvsugeren og tørres af eller skylles med vand.

### **Aftagning og isætning af svampefilteret (Fig. 33 og 34)**

Svampefilteret tages af ved at man fjerner støvposen eller støvpakken og derefter trykker det sammen og tager det ud.

Tryk hele kanten på svampefilteret ind mod den tilbagetrukne væg inden i støvposens/støvpakkens monteringsdel.

#### **FORSIGTIG:**

- Sørg for, når svampefilteret er rengjort, at installere det på støvsugeren. Hvis det er blevet skyllet med vand, skal det tørres, inden det installeres. Et utilstrækkeligt tørret svampefilter kan afkorte motorens levetid.

## Ting, der skal kontrolleres, inden man bestiller reparation

Symptom	Del, der skal undersøges	Fastgørelsesmetode
Svag sugekraft	<ul style="list-style-type: none"><li>• Er støvposen eller papirpakken fuld af støv?</li><li>• Er støvposen tilstoppet?</li><li>• Er papirpakken tilstoppet?</li><li>• Er akkuen udtjent?</li></ul>	<ul style="list-style-type: none"><li>• Tøm støvposen eller papirpakken.</li><li>• Støv støvposen af eller vask den.</li><li>• Brug en ny papirpakke.</li><li>• Oplad akkuen.</li></ul>
Fungerer ikke	<ul style="list-style-type: none"><li>• Er akkuen udtjent?</li></ul>	<ul style="list-style-type: none"><li>• Oplad akkuen.</li></ul>

011566

### BEMÆRK:

- Forsøg ikke selv at reparere støvsugeren.

For at opretholde produktets SIKKERHED og PÅLIDELIGHED bør reparation, vedligeholdelse og justering kun udføres af et Makita servicecenter med anvendelse af original Makita udskiftningsdele.

### BEMÆRK:

- Nogle ting på denne liste kan være inkluderet i værktøjspakken som standardtilbehør. Det kan være forskellige fra land til land.

## EKSTRAUDSTYR

### FORSIGTIG:

- Dette ekstraudstyr eller tilbehørsdele anbefales til brug med Deres Makita støvsuger, som er specificeret i denne brugervejledning. Anvendelse af andet ekstraudstyr eller andre tilbehørsdele kan udgøre en risiko for personskade. Anvend kun ekstraudstyr eller tilbehørsdele til det beregnede formål.

Henvend Dem gerne til det lokale Makita-servicecenter, hvis De har behov for hjælp med hensyn til flere detaljer om disse tilbehørsdele.

- Forlængerstav (lige rør)
- Mundstykke
- Mundstykke til støvsugning af tæppe
- Børste til støvsugning af hylde
- Hjørnemundstykke
- Rund børste
- Fleksibel slange
- Papirpakke
- Original Makita-akku og oplader

**ΠΡΟΕΙΔΟΠΟΙΗΣΗ:** Η συσκευή αυτή μπορεί να χρησιμοποιηθεί από παιδιά άνω των 8 ετών και άτομα με μειωμένες σωματικές, αισθητήριες ή διανοητικές ικανότητες ή που δεν έχουν πείρα και γνώσεις, εάν επιτηρούνται ή τους έχουν δοθεί οδηγίες για την ασφαλή χρήση της συσκευής και κατανοούν τους κινδύνους που εμπλέκονται. Τα παιδιά δεν πρέπει να παίζουν με τη συσκευή. Οι εργασίες καθαρισμού και συντήρησης από το χρήστη δεν θα πρέπει να γίνονται από παιδιά χωρίς επιτήρηση.

#### Περιγραφή γενικής άποψης

1	Κόκκινη ένδειξη	8	Σύνδεσμος στήριξης μπροστινού καλύμματος	15	Κοιλότητα ηλεκτρικής σκούπας
2	Κουμπί	9	Αναστολέας σκόνης	16	Σακούλα σκόνης
3	Κασέτα μπαταρίας	10	Πάνω πλευρά αναστολέα σκόνης	17	Ακροφύσιο
4	Κουμπί OFF (απενεργοποίηση)	11	Κάτω πλευρά αναστολέα σκόνης	18	Ηλεκτρικό σκουπάκι
5	Κουμπί ΥΨΗΛΟ/ΧΑΜΗΛΟ	12	Εγκοπή	19	Ράβδος προέκτασης
6	Ενδεικτική λυχνία φόρτισης μπαταρίας	13	Σάκος σκόνης	20	Ακροφύσιο γωνιών
7	Μπροστινό κάλυμμα	14	Κάτω εγκοπή	21	Φίλτρο σπόγγου
				22	Τοίχωμα εσοχής

#### ΤΕΧΝΙΚΑ ΧΑΡΑΚΤΗΡΙΣΤΙΚΑ

Μοντέλο		DCL142	DCL182
Χωρητικότητα	με σάκο σκόνης	0,50 L	
	με χάρτινη σακούλα	0,33 L	
Συνεχής χρήση	ΥΨΗΛΟ	Περίπου 20 λεπτά	
	ΧΑΜΗΛΟ	Περίπου 40 λεπτά	
Συνολικό μήκος		986 mm	1.004 mm
Καθαρό βάρος		1,3 kg	
Ονομαστική τάση		DC 14,4 V	DC 18 V

- Λόγω της συνέχισης του προγράμματός μας έρευνας και ανάπτυξης, οι εν λόγω προδιαγραφές υπόκεινται σε αλλαγές χωρίς προειδοποίηση.
- Τα τεχνικά χαρακτηριστικά και η κασέτα μπαταρίας μπορεί να διαφέρουν από χώρα σε χώρα.
- Βάρος, με κασέτα μπαταρίας, σύμφωνα με τη διαδικασία EPTA 01/2003

ENE017-1

#### Προοριζόμενη χρήση

Το εργαλείο προορίζεται για τη συλλογή ξηρής σκόνης.

ENEA005-4

#### ΣΗΜΑΝΤΙΚΟ

#### ΟΔΗΓΙΕΣ ΑΣΦΑΛΕΙΑΣ

Κατά τη χρήση μιας ηλεκτρικής συσκευής, θα πρέπει να τηρούνται πάντα οι βασικές προφυλάξεις, συμπεριλαμβανομένων των ακόλουθων:

#### ΔΙΑΒΑΣΤΕ ΟΛΕΣ ΤΙΣ ΟΔΗΓΙΕΣ ΠΡΙΝ ΑΠΟ ΤΗ ΧΡΗΣΗ ΑΥΤΗΣ ΤΗΣ ΣΥΣΚΕΥΗΣ.

**ΠΡΟΕΙΔΟΠΟΙΗΣΗ** – Προς μείωση του κινδύνου πυρκαγιάς, ηλεκτροπληξίας ή τραυματισμού:

1. Να μην εκτίθεται σε βροχή. Να φυλάσσεται σε εσωτερικό χώρο.

2. Δεν επιτρέπεται η χρήση της ως παιχνίδι. Απαιτείται ιδιαίτερη προσοχή κατά τη χρήση από ή κοντά σε παιδιά.
3. Να χρησιμοποιείται μόνο σύμφωνα με τις οδηγίες του παρόντος εγχειριδίου. Να χρησιμοποιούνται μόνο τα παρελκόμενα που συνιστά ο κατασκευαστής.
4. Να μη χρησιμοποιείται με μπαταρία που έχει υποστεί βλάβη. Εάν η συσκευή δεν λειτουργεί όπως θα έπρεπε, έχει υποστεί πτώση ή βλάβη, έχει αφεθεί σε εξωτερικό χώρο ή έχει πέσει μέσα σε νερό, να επιστραφεί σε κέντρο σέρβις.
5. Μη χειρίζεστε τη συσκευή με βρεγμένα χέρια.
6. Μην τοποθετείτε κανένα αντικείμενο μέσα στις οπές. Μη την χρησιμοποιείτε εάν παρουσιαστεί έμφραξη κάποιου ανοίγματος, να την διατηρείτε χωρίς ίχνη σκόνης, χνούδια, τρίχες και οτιδήποτε ενδέχεται να προκαλέσει μείωση της ροής του αέρα.
7. Φροντίστε ώστε να μην πλησιάζετε τις οπές και τα κινούμενα εξαρτήματα της συσκευής σε μαλλιά, χαλαρά είδη ρουχισμού, δάχτυλα και όλα τα μέρη του σώματος.
8. Να απενεργοποιείτε όλα τα στοιχεία ελέγχου πριν από την αφαίρεση της μπαταρίας.
9. Να προσέχετε ιδιαίτερα, όταν καθαρίζετε σκαλοπάτια.
10. Να μη χρησιμοποιείται για τη συλλογή εύφλεκτων ή καύσιμων υγρών, όπως βενζίνη, ή να χρησιμοποιείται σε χώρους παρουσία αυτών.
11. Για επαναφόρτιση, να χρησιμοποιείται μόνο ο φορτιστής που παρέχεται από τον κατασκευαστή.
12. Να μη χρησιμοποιείται για τη συλλογή οποιουδήποτε αντικειμένου καίγεται ή αναδίδει καπνό, όπως τσιγάρα, σπύρτα ή θερμές στάχτες.
13. Να μη χρησιμοποιείται χωρίς τη χρήση φίλτρων.
14. Μη φορτίστε τη μπαταρία σε εξωτερικό χώρο.

### ΦΥΛΑΞΤΕ ΑΥΤΕΣ ΤΙΣ ΟΔΗΓΙΕΣ.

Η συσκευή αυτή προορίζεται για οικιακή χρήση.

ENB114-3

### ΕΠΙΠΛΕΟΝ ΚΑΝΟΝΕΣ ΑΣΦΑΛΕΙΑΣ

1. Διαβάστε προσεκτικά το παρόν εγχειρίδιο χρήσης όπως και το εγχειρίδιο χρήσης του φορτιστή πριν από τη χρήση.
2. Μην τα ακόλουθα υλικά:
  - Καυτά υλικά όπως αναμμένα τσιγάρα ή μεταλλική σκόνη/ρινίσματα που παράγονται από λείανση/κοπή μετάλλων
  - Ευφλέκτα υλικά όπως βενζίνη, διαλυτικό, πετρελαϊκό αιθέρα, κηροζίνη ή χρώματα
  - Εκρηκτικά υλικά όπως νιτρογλυκερίνη
  - Αναφλέξιμα υλικά όπως αλουμίνιο, ψευδάργυρο, μαγνήσιο, τιτάνιο, φώσφορο ή κινηματογραφικό φιλμ
  - Υγρές ακαθαρσίες, νερό, έλαιο ή παρόμοιες ουσίες
  - Αιχμηρά τεμάχια σκληρών υλικών, όπως ροκανίδια, μέταλλα, πέτρες, γυαλιά, καρφιά, πινέζες ή ξυραφάκια
  - Σκόνη η οποία βρωλιάζει όπως το τσιμέντο ή το τόνερ

- Αγώγιμη σκόνη όπως μετάλλου ή άνθρακα
- Μικρά σωματίδια όπως σκόνη ακυροδέματος

Αυτή η ενέργεια ενδέχεται να προκαλέσει πυρκαγιά, τραυματισμό ή/και ζημία στην σε περιορισμένα στοιχεία.

3. Διακόψτε τη λειτουργία αμέσως, μόλις παρατηρήσετε οτιδήποτε μη φυσιολογικό.
4. Σε περίπτωση που το ηλεκτρικό σκούπακι υποστεί πτώση ή κτύπημα, ελέγξτε το προσεκτικά για ρωγμές ή βλάβη πριν από τη λειτουργία.
5. Μην πλησιάζετε σε θερμάστρες ή άλλες πηγές θερμότητας.
6. Μη φράσσετε την οπή εισαγωγής ή τις οπές αερισμού.

### ΦΥΛΑΞΤΕ ΑΥΤΕΣ ΤΙΣ ΟΔΗΓΙΕΣ.

ENC007-8

### ΣΗΜΑΝΤΙΚΕΣ ΟΔΗΓΙΕΣ ΑΣΦΑΛΕΙΑΣ

#### ΓΙΑ ΚΑΣΕΤΑ ΜΠΑΤΑΡΙΑΣ

1. Πριν χρησιμοποιήσετε την κασέτα μπαταρίας, διαβάστε όλες τις οδηγίες και σημειώσεις προφύλαξης (1) στον φορτιστή μπαταρίας, (2) στην μπαταρία και (3) στο προϊόν που χρησιμοποιεί την μπαταρία.
  2. Μην αποσυναρμολογήσετε την κασέτα μπαταρίας.
  3. Εάν ο χρόνος λειτουργίας έχει γίνει υπερβολικά βραχύς, σταματήστε την λειτουργία αμέσως. Αλλιώς, μπορεί να έχει ως αποτέλεσμα κίνδυνο υπερθέρμανσης, πιθανά εγκαύματα ή ακόμη και έκρηξη.
  4. Εάν ηλεκτρολύτης μπει στα μάτια σας, ξεπλύνετε τα με καθαρό νερό και ζητήστε ιατρική φροντίδα αμέσως. Αλλιώς, μπορεί να έχει ως αποτέλεσμα απώλεια της όρασης σας.
  5. Μη βραχυκυκλώνετε την κασέτα μπαταρίας:
    - (1) Μην αγγίζετε τους πόλους με κάποιο αγώγιμο υλικό.
    - (2) Αποφεύγετε να αποθηκεύετε την κασέτα μπαταρίας μέσα σε ένα δοχείο μαζί με άλλα μεταλλικά αντικείμενα όπως καρφιά, νομίσματα, κλπ.
    - (3) Μην εκθέτε την κασέτα μπαταρίας στο νερό ή στη βροχή.
- Ενα βραχυκύκλωμα μπαταρίας μπορεί να προκαλέσει μεγάλη ροή ρεύματος, υπερθέρμανση, πιθανά εγκαύματα ακόμη και σοβαρή βλάβη.
6. Μην αποθηκεύετε το εργαλείο και την κασέτα μπαταρίας σε τοποθεσίες όπου η θερμοκρασία μπορεί να φτάσει ή να ξεπεράσει τους 50°C.
  7. Μη πετάξετε στη φωτιά την κασέτα μπαταρίας ακόμη και εάν έχει σοβαρή ζημία ή είναι εντελώς φθαρμένη.  
Η κασέτα μπαταρίας μπορεί να εκραγεί στην φωτιά.
  8. Προσέχετε να μη ρίξετε κάτω ή χτυπήσετε την μπαταρία.
  9. Μην χρησιμοποιείτε μπαταρία που έχει υποστεί ζημία.
  10. Τηρήστε τους τοπικούς κανονισμούς που σχετίζονται με τη διάθεση της μπαταρίας.

## ΦΥΛΑΞΤΕ ΤΙΣ ΟΔΗΓΙΕΣ ΑΥΤΕΣ.

### Συμβουλές για διατήρηση μέγιστης ζωής μπαταρίας

1. **Φορτίζετε την κασέτα μπαταρίας πριν από την πλήρη αποφόρτιση της.**  
Πάντοτε σταματάτε την λειτουργία του εργαλείου και φορτίζετε την κασέτα μπαταρίας όταν παρατηρήσετε μειωμένη ισχύ του εργαλείου.
2. **Ποτέ μην επαναφορτίζετε μια πλήρως φορτισμένη κασέτα μπαταρίας.** Υπερφόρτιση μειώνει την ωφέλιμη ζωή της μπαταρίας.
3. **Φορτίζετε την κασέτα μπαταρίας σε θερμοκρασία δωματίου 10°C – 40°C.** Αφήστε μία θερμή κασέτα μπαταρίας να κρυώσει πριν την φορτίσετε.
4. **Φορτίστε την κασέτα μπαταρίας μία φορά κάθε έξι μήνες εάν δεν τη χρησιμοποιείτε για μεγάλη χρονική περίοδο.**

### ΠΕΡΙΓΡΑΦΗ ΛΕΙΤΟΥΡΓΙΑΣ

#### ΠΡΟΣΟΧΗ:

- Πάντοτε βεβαιώνετε ότι το εργαλείο είναι ερθρό και η κασέτα μπαταρίας έχει αφαιρεθεί πριν ρυθμίσετε ή ελέγξετε κάποια λειτουργία στο εργαλείο.
- Φροντίστε ώστε να μην παγιδεύσετε δάκτυλο(α) στο χώρο μεταξύ σκούπας και μπαταρίας, όπως υποδεικνύεται στο διάγραμμα, κατά τη φόρτωση της μπαταρίας. Η παγίδευση δακτύλων ενδέχεται να προκαλέσει τραυματισμό. **(Εικ. 1)**

#### Τοποθέτηση ή αφαίρεση της κασέτας μπαταρίας (Εικ. 2)

#### ΠΡΟΣΟΧΗ:

- Πάντοτε σβήνετε το εργαλείο πριν εγκαταστήσετε ή βγάλετε την κασέτα μπαταρίας.
- **Κρατήστε το εργαλείο και την κασέτα μπαταρίας σταθερά κατά την τοποθέτηση ή αφαίρεση της κασέτας μπαταρίας.** Αν δεν κρατάτε το εργαλείο και την κασέτα μπαταρίας σταθερά, μπορεί γλιστρήσουν από τα χέρια σας και να προκληθεί βλάβη στο εργαλείο και την κασέτα μπαταρίας και προσωπικός τραυματισμός.

Για να αφαιρέσετε την κασέτα μπαταρίας, βγάλτε την από το εργαλείο ενώ σύρετε το κουμπί στο εμπρόσθιο μέρος της κασέτας.

Για να εγκαταστήσετε την κασέτα μπαταρίας, ευθυγραμμίστε την γλώσσα στην κασέτα μπαταρίας με την αυλακία στην υποδοχή και τοποθετήστε την. Να την τοποθετείτε πλήρως μέχρι να ασφαλίσει στη θέση της, γεγονός που υποδεικνύεται με ένα χαρακτηριστικό ήχο. Εάν μπορείτε να δείτε την κόκκινη ένδειξη στην επάνω πλευρά του κουμπιού, δεν έχει κλειδώσει τελείως.

#### ΠΡΟΣΟΧΗ:

- Να τοποθετείτε πάντα την κασέτα μπαταρίας πλήρως μέχρι να μην βλέπετε την κόκκινη ένδειξη. Σε αντίθετη περίπτωση, ίσως πέσει κατά λάθος από το μηχάνημα, τραυματίζοντας εσάς ή κάποιον τριγύρω σας.
- Μην τοποθετείτε την κασέτα μπαταρίας με βία. Εάν η κασέτα δεν γλιστράει μέσα εύκολα, δεν εισάγεται με τον σωστό τρόπο.

### Σύστημα προστασίας μπαταρίας

Η ηλεκτρική σκούπα διαθέτει σύστημα προστασίας, το οποίο διακόπτει αυτόματα την ισχύ εξόδου σε όλη τη μακρά διάρκεια ζωής της.

Η λειτουργία της ηλεκτρικής σκούπας ενδέχεται να διακοπεί κατά τη χρήση, όταν η ηλεκτρική σκούπα ή/ και η μπαταρία βρισκονται κάτω από τις ακόλουθες συνθήκες. Αυτό συμβαίνει λόγω ενεργοποίησης του συστήματος προστασίας και δεν υποδεικνύει δυσλειτουργία της ηλεκτρικής σκούπας.

- Όταν η ηλεκτρική σκούπα έχει υπερφορτωθεί:

Σε αυτήν την περίπτωση, ελευθερώστε τη σκανδάλη ενεργοποίησης και απομακρύνετε τις αιτίες υπερφόρτωσης, στη συνέχεια πιέστε ξανά τη σκανδάλη ενεργοποίησης για επανεκκίνηση.

- Όταν η εναπομένουσα φόρτιση της μπαταρίας είναι χαμηλή:

Επαναφορτίστε την κασέτα μπαταρίας.

### Λειτουργία διακόπτη (Εικ. 3)

Για εκκίνηση της ηλεκτρικής σκούπας, πιέστε απλά το κουμπί "ΥΨΗΛΟ/ΧΑΜΗΛΟ". Για απενεργοποίηση, πιέστε το κουμπί "OFF". Για αλλαγή της ταχύτητας της ηλεκτρικής σκούπας, πιέστε το κουμπί "ΥΨΗΛΟ/ΧΑΜΗΛΟ". Με την πρώτη πίεση του κουμπιού επιτυγχάνεται υψηλή ταχύτητα και με τη δεύτερη επιτυγχάνεται χαμηλή ταχύτητα, στη συνέχεια με κάθε πίεση του κουμπιού επιτυγχάνεται η αλλαγή ταχύτητας μεταξύ των ρυθμίσεων υψηλό/χαμηλό εναλλάξ.

### Ενδεικτική λυχνία φόρτισης μπαταρίας (Εικ. 4)

- Όταν η εναπομένουσα ισχύς της μπαταρίας είναι χαμηλή, η ενδεικτική λυχνία φόρτισης μπαταρίας αναβοσβήνει.
- Όταν η εναπομένουσα ισχύς της μπαταρίας μειωθεί κατά πολύ, η λειτουργία του εργαλείου διακόπτεται και η ενδεικτική λυχνία φόρτισης μπαταρίας ανάβει για δέκα δευτερόλεπτα περίπου. Σε αυτήν την περίπτωση, αφαιρέστε την κασέτα μπαταρίας από το εργαλείο και φορτίστε την.

### ΣΗΜΕΙΩΣΗ:

- Η χρονική στιγμή κατά την οποία αρχίζει να αναβοσβήνει η ανάβει σταθερά η ενδεικτική λυχνία φόρτισης μπαταρίας εξαρτάται από τη θερμοκρασία που επικρατεί στο χώρο εργασίας και την κατάσταση της κασέτας μπαταρίας.

### ΣΥΝΑΡΜΟΛΟΓΗΣΗ

#### ΠΡΟΣΟΧΗ:

- Πάντοτε βεβαιώνετε ότι το εργαλείο είναι ερθρό και η κασέτα μπαταρίας έχει αφαιρεθεί πριν εκτελέσετε κάποια εργασία στο εργαλείο.

### Απόρριψη σκόνης

#### ΠΡΟΣΟΧΗ:

- Να αδειάζετε το ηλεκτρικό σκουπάκι πριν γεμίσει πλήρως, ή εξασθενήσει η δύναμη αναρρόφησης.
- Φροντίστε για το άδειασμα της σκόνης από το εσωτερικό της ίδιας της ηλεκτρικής σκούπας. Σε περίπτωση μη συμμόρφωσης ενδέχεται να προκληθεί έκφραση του φίλτρου σπόγγου ή ζημία στον κινητήρα.



• Μην πετάτε ποτέ τον αναστολέα σκόνης διότι θα πρέπει να χρησιμοποιείται κάθε φορά που χρησιμοποιείται ο σάκος σκόνης ή η χάρτινη σακούλα.

1. Πιέστε το κουμπί για να ανοίξετε το μπροστινό κάλυμμα. Εάν το ανοίξετε έως ότου ακουστεί ένα κλικ, επιτρέπεται ένα σταθερό σημείο στάσης (στοπ) σε αυτήν τη θέση. **(Εικ. 5)**

#### ΣΗΜΕΙΩΣΗ:

• Η ηλεκτρική σκούπα έχει σχεδιαστεί ώστε το μπροστινό κάλυμμα να αποσπάται τελείως, όταν κατόπιν το άνοιγμα ασκείται δύναμη υπό γωνία μεγαλύτερη από 90°. Σε περίπτωση που το μπροστινό κάλυμμα αποσπαστεί, εισάγετε το πάλι στο σύνδεσμο στήριξης μπροστινού καλύμματος. **(Εικ. 6)**

#### ΠΡΟΣΟΧΗ:

- Όταν κλείνετε το μπροστινό κάλυμμα, φροντίστε να μην μαγκώσετε τα δάκτυλά σας.
2. Αποσπάστε τον αναστολέα σκόνης χρώματος πορτοκαλί μαζί με το σάκο σκόνης, τραβώντας ταυτόχρονα προς τα έξω. **(Εικ. 7)**
3. Αφαιρέστε τον αναστολέα σκόνης και αδειάστε το ηλεκτρικό σκουπάκι. **(Εικ. 8 και 9)**

#### Σάκος σκόνης και χάρτινη σακούλα

Τοποθετήστε το σάκο σκόνης ή τη χάρτινη σακούλα πριν από τη χρήση της ηλεκτρικής σκούπας.

Να χρησιμοποιείτε τον αναστολέα σκόνης, όταν τοποθετείτε σάκο σκόνης ή χάρτινη σακούλα.

Μπορείτε να χρησιμοποιήσετε τον σάκο σκόνης πολλές φορές αφού τον καθαρίσετε πρώτα.

Η χάρτινη σακούλα είναι μιας χρήσης. Απορρίψτε ολόκληρη τη χάρτινη σακούλα χωρίς άδεια, όταν γεμίσει.

#### Τοποθέτηση σάκου σκόνης

Χρησιμοποιήστε τον αναστολέα σκόνης, όταν τοποθετείτε τον σάκο σκόνης. Προσέξτε να μη μπερδέψετε την πάνω με την κάτω πλευρά, διότι διαφέρουν. **(Εικ. 10)**

1. Εισάγετε την προεξοχή του σάκου σκόνης στην εγκοπή του αναστολέα σκόνης, όπως υποδεικνύεται στην εικόνα. **(Εικ. 11)**
2. Δεν υπάρχει διαφορά μεταξύ πάνω και κάτω πλευράς του σάκου σκόνης. Μπορείτε να εισάγετε την προεξοχή οποιασδήποτε πλευράς στην κάτω εγκοπή του αναστολέα σκόνης. **(Εικ. 12)**
3. Επικαλύψτε το πλαίσιο του αναστολέα σκόνης με εκείνο του σάκου σκόνης. **(Εικ. 13)**
4. Τοποθετήστε τον αναστολέα σκόνης μαζί με τον σάκο σκόνης μέσα στην κοιλότητα της ηλεκτρικής σκούπας με την ίδια φορά όπως και η φορά του βέλους που βρίσκεται πάνω στον αναστολέα σκόνης. Φροντίστε για την πλήρη εισαγωγή τους μέσα στην κοιλότητα της ηλεκτρικής σκούπας. **(Εικ. 14)**
5. Τοποθετήστε ολόκληρο το υφασμάτινο τμήμα του σάκου σκόνης στο εσωτερικό της ηλεκτρικής σκούπας. **(Εικ. 15)**
6. Κλείστε τελείως το μπροστινό κάλυμμα. **(Εικ. 16)**

#### Τοποθέτηση της χάρτινης σακούλας

1. Ξεδιπλώστε το στόμιο εισαγωγής της χάρτινης σακούλας πριν από την τοποθέτησή της πάνω στον αναστολέα σκόνης. **(Εικ. 17)**

Χρησιμοποιήστε επίσης τον αναστολέα σκόνης, όταν τοποθετείτε τη σακούλα σκόνης. Προσέξτε να μη μπερδέψετε την πάνω με την κάτω πλευρά, διότι διαφέρουν. **(Εικ. 18)**

2. Εισάγετε την προεξοχή της σακούλας σκόνης στην εγκοπή του αναστολέα σκόνης, όπως υποδεικνύεται στην εικόνα. **(Εικ. 19)**
3. Δεν υπάρχει διαφορά μεταξύ πάνω και κάτω πλευράς της σακούλας σκόνης. Μπορείτε να εισάγετε την προεξοχή οποιασδήποτε πλευράς στην κάτω εγκοπή του αναστολέα σκόνης. **(Εικ. 20)**
4. Επικαλύψτε το πλαίσιο του αναστολέα σκόνης με εκείνο της σακούλας σκόνης. **(Εικ. 21)**
5. Τοποθετήστε τον αναστολέα σκόνης μαζί με τη σακούλα σκόνης μέσα στην κοιλότητα της ηλεκτρικής σκούπας με την ίδια φορά όπως και η φορά του βέλους που βρίσκεται πάνω στον αναστολέα σκόνης. Φροντίστε για την πλήρη εισαγωγή τους μέσα στην κοιλότητα της ηλεκτρικής σκούπας. **(Εικ. 22)**
6. Τοποθετήστε ολόκληρο το υφασμάτινο τμήμα της σακούλας σκόνης στο εσωτερικό της ηλεκτρικής σκούπας. **(Εικ. 23)**
7. Κλείστε τελείως το μπροστινό κάλυμμα.

#### ΠΡΟΣΟΧΗ:

- Η μη τοποθέτηση του σάκου σκόνης ή της σακούλας σκόνης, η μη εισαγωγή του αναστολέα σκόνης μαζί με το σάκο σκόνης ή τη σακούλα σκόνης πλήρως μέσα στις υποδοχές ή η χρήση κομμένου ή σχισμένου σάκου, ενδέχεται να επιτρέψει τη διείσδυση σκόνης στο εσωτερικό του κινητήρα. Αυτό ενδέχεται να προκαλέσει βλάβη του κινητήρα.
- Μην διπλώνετε το χαρτόνι στο άνοιγμά του, κατά την τοποθέτηση της χάρτινης σακούλας.
- Μην πετάτε ποτέ τον αναστολέα σκόνης διότι θα πρέπει να χρησιμοποιείται κάθε φορά που χρησιμοποιείται ο σάκος σκόνης ή η σακούλα σκόνης.
- Η χάρτινη σακούλα της ηλεκτρικής σκούπας παίζει σημαντικό ρόλο για τη διατήρηση της απόδοσης του εργαλείου. Εάν χρησιμοποιήσετε οποιαδήποτε άλλη χάρτινη σακούλα εκτός από τη γνήσια, ενδέχεται να προκληθεί καπνός ή ανάφλεξη.

#### ΛΕΙΤΟΥΡΓΙΑ

##### ΠΡΟΣΟΧΗ:

- Για να τοποθετήσετε διάφορα εξαρτήματα, όπως ένα ακροφύσιο, περιστρέψτε και εισάγετε το εξάρτημα προς την κατεύθυνση του βέλους, ώστε να διασφαλιστεί η ασφαλής σύνδεση στη διάρκεια της χρήσης. Για να αφαιρέσετε το εξάρτημα, περιστρέψτε και αποσπάστε πάλι προς την κατεύθυνση του βέλους. **(Εικ. 24)**

#### Καθαρισμός (Αναρρόφηση)

##### Ακροφύσιο (Εικ. 25)

Προσαρμόστε το ακροφύσιο για να καθαρίσετε τραπεζία, γραφεία, έπιπλα, κ.λ.π. Το ακροφύσιο τοποθετείται εύκολα σύροντάς το.

### **Ακροφύσιο + Ράβδος προέκτασης (Ευθύς σωλήνας) (Εικ. 26)**

Η ράβδος προέκτασης τοποθετείται μεταξύ ακροφυσίου και ηλεκτρικής σκούπας. Ο συνδυασμός αυτός διευκολύνει στον καθαρισμό ενός δαπέδου, ενώ ο χειριστής παραμένει σε όρθια θέση.

### **Ακροφύσιο γωνιών (Εικ. 27)**

Τοποθετήστε το ακροφύσιο γωνιών για να καθαρίσετε γωνίες και χαραμάδες σε ένα αυτοκίνητο ή έπιπλα.

### **Ακροφύσιο γωνιών + Ράβδος προέκτασης (Ευθύς σωλήνας) (Εικ. 28)**

Χρησιμοποιήστε αυτόν το συνδυασμό σε περιορισμένους χώρους, όπου η ηλεκτρική σκούπα δεν χωρά, ή σε υψηλά σημεία όπου η πρόσβαση είναι δύσκολη.

### **Καθαρισμός χωρίς ακροφύσιο (Εικ. 29)**

Μπορείτε να συλλέξετε σκόνη χωρίς το ακροφύσιο.

## **ΣΥΝΤΗΡΗΣΗ**

### **ΠΡΟΣΟΧΗ:**

- Να φροντίζετε πάντα για την απενεργοποίηση του εργαλείου πριν επιχειρήσετε οποιοδήποτε έλεγχο ή συντήρηση του εργαλείου.

### **Μετά από τη χρήση**

### **ΣΗΜΕΙΩΣΗ:**

- Εάν ακουμπήσετε την ηλεκτρική σκούπα στον τοίχο σε όρθια θέση χωρίς άλλη στήριξη ενδέχεται να πέσει και να προκληθεί ζημία. **(Εικ. 30)**

### **Καθαρισμός**

Περιστασιακά, καθαρίστε το εξωτερικό (σώμα ηλεκτρικής σκούπας) της σκούπας χρησιμοποιώντας ένα πανί που έχετε υγράνει με σαπουνόνερο. Καθαρίστε, επίσης, το άνοιγμα αναρρόφησης, το χώρο τοποθέτησης του σάκου/σακούλας σκόνης και τον αναστολέα σκόνης. **(Εικ. 31)**

### **ΠΡΟΣΟΧΗ:**

- Μην χρησιμοποιείτε ποτέ βενζίνη, πετρελαϊκό αιθέρα, διαλυτικό, αλκοόλη ή παρόμοιες ουσίες. Ενδέχεται να προκληθεί αποχρωματισμός παραμόρφωση ή ρωγμές.

Πλύνετε το σάκο σκόνης σε σαπουνόνερο, όταν παρατηρηθεί έμφραξη λόγω σκόνης και μείωση της απορροφητικής ισχύος. Στεγνώστε πλήρως πριν από τη χρήση. Ένας σάκος που δεν είναι απολύτως στεγνός ενδέχεται να προκαλέσει κακή αναρρόφηση και μείωση της διάρκειας ζωής του κινητήρα. **(Εικ. 32)**

### **ΣΗΜΕΙΩΣΗ:**

- Η σακούλα σκόνης είναι μιας χρήσης.

Όταν το φίλτρο σπόγγου παρουσιάζει έμφραξη λόγω σκόνης, αφαιρέστε το από την ηλεκτρική σκούπα και καθαρίστε το ή πλύντε το με νερό.

### **Αφαίρεση και τοποθέτηση του φίλτρου σπόγγου (Εικ. 33 και 34)**

Για να αφαιρέσετε το φίλτρο σπόγγου, αφαιρέστε το σάκο σκόνης ή τη χάρτινη σακούλα και ακολουθήστε αφαιρέστε σφίγγοντάς το.

Πιέστε ολόκληρο το άκρο του φίλτρου σπόγγου πάνω στο τοίχωμα της εσοχής, στο εσωτερικό του χώρου τοποθέτησης του σάκου σκόνης/της χάρτινης σακούλας.

### **ΠΡΟΣΟΧΗ:**

- Μετά από τον καθαρισμό του φίλτρου σπόγγου, φροντίστε για την επανατοποθέτησή του στο ηλεκτρικό σκουπάκι. Εάν πλυθεί σε νερό, στεγνώστε το πριν από την τοποθέτηση. Ένα φίλτρο σπόγγου που δεν είναι απολύτως στεγνό ενδέχεται να προκαλέσει μείωση της διάρκειας ζωής του μοτέρ.

## Τι θα πρέπει να ελέγξετε πριν ζητήσετε επισκευή

Σύμπτωμα	Περιοχή διερεύνησης	Μέθοδος επιδιόρθωσης
Ασθενής ισχύς αναρρόφησης	<ul style="list-style-type: none"><li>Είναι ο σάκος σκόνης ή η χάρτινη σακούλα γεμάτα σκόνη?</li><li>Είναι ο σάκος σκόνης φραγμένος?</li><li>Είναι η χάρτινη σακούλα φραγμένη?</li><li>Είναι η κασέτα μπαταρίας εξαντλημένη?</li></ul>	<ul style="list-style-type: none"><li>Αδειάστε το σάκο σκόνης ή τη χάρτινη σακούλα.</li><li>Τινάξτε τη σκόνη ή πλύνετε το σάκο σκόνης.</li><li>Αντικαταστήστε τη χάρτινη σακούλα.</li><li>Φορτίστε την κασέτα μπαταρίας.</li></ul>
Δεν λειτουργεί	<ul style="list-style-type: none"><li>Είναι η κασέτα μπαταρίας εξαντλημένη?</li></ul>	<ul style="list-style-type: none"><li>Φορτίστε την κασέτα μπαταρίας.</li></ul>

011566

### ΣΗΜΕΙΩΣΗ:

- Μην επιχειρήσετε να επισκευάσετε τη σκούπα μόνοι σας.

Για την διατήρηση της ΑΣΦΑΛΕΙΑΣ και ΑΞΙΟΠΙΣΤΙΑΣ του προϊόντος, επισκευές, οποιαδήποτε άλλη συντήρηση ή ρύθμιση πρέπει να εκτελούνται από τα εξουσιοδοτημένα κέντρα εξυπηρέτησης της Makita, με χρήση πάντοτε ανταλλακτικών Makita.

### ΠΡΟΑΙΡΕΤΙΚΑ ΕΞΑΡΤΗΜΑΤΑ

#### ΠΡΟΣΟΧΗ:

- Αυτά τα παρελκόμενα ή εξαρτήματα συνιστώνται για χρήση με την ηλεκτρική σκούπα της Makita που περιγράφεται στο παρόν εγχειρίδιο. Η χρήση οποιουδήποτε άλλου παρελκόμενου ή προσαρτήματος ενέχει κίνδυνο τραυματισμού ατόμων. Το παρελκόμενο ή προσάρτημα να χρησιμοποιείται μόνο για την προοριζόμενη χρήση του.

Εάν χρειάζεστε βοήθεια όσον αφορά περαιτέρω λεπτομέρειες σχετικά με τα εν λόγω παρελκόμενα, απευθυνθείτε στο τοπικό κέντρο σέρβις της Makita.

- Ράβδος προέκτασης (Ευθύς σωλήνας)
- Ακροφύσιο
- Ακροφύσιο για μοκέτα
- Βούρτσα ραφιών
- Ακροφύσιο γωνιών
- Στρογγυλή βούρτσα
- Εύκαμπτος σωλήνας
- Χάρτινη σακούλα
- Γνήσια μπαταρία και φορτιστής της Makita

### ΠΑΡΑΤΗΡΗΣΗ:

- Μερικά στοιχεία στη λίστα μπορεί να συμπεριλαμβάνονται στη συσκευασία εργαλείου ως στάνταρ εξαρτήματα. Μπορεί να διαφέρουν ανάλογα με τη χώρα.

**Makita** Jan-Baptist Vinkstraat 2, 3070, Belgium  
**Makita Corporation** Anjo, Aichi, Japan

885263A994

[www.makita.com](http://www.makita.com)

IDE