

**Series 6, Wine cooler with glass door, 82 x 60 cm  
KUW21AHG0**



Energy Efficiency Class (Regulation (EU) 2017/1369):	..... G
Average annual energy consumption in kilowatt hour per year (kWh/a) (EU) 2017/1369:	..... 130 kWh/annum
Capacity of 75 cl bottles (EU 2017/1369):	..... 44
Airborne acoustical noise emissions (EU 2017/1369):	..... 38 dB(A) re 1 pW
Airborne acoustical noise emission class (EU 2017/1369):	..... C
Built-in / Free-standing:	..... Built-in
Door panel options:	..... Not possible
Height:	..... 818 mm
Width of the appliance:	..... 598 mm
Depth of the product:	..... 581 mm
Min. required niche size for installation (HxWxD):	..... 820 x 600 x 560 mm
Connection rating:	..... 60 W
Fuse protection:	..... 6 A
Voltage:	..... 220-240 V
Frequency:	..... 50-60 Hz
Plug type:	..... Gardy plug w/ earthing
Total unit gross capacity:	..... 120 l
Number of compressors:	..... 1
Number of independent cooling systems:	..... 2
Interior ventilator:	..... Yes
Reversible Door Hinge:	..... Yes
Interior light switch:	..... No
Number of temperature zones:	..... 2
Temperature range:	..... 5-20 °C
Economy setting:	..... No
Carbon Air Filter:	..... No
Presenter Lighting:	..... Yes
Presenter Shelf:	..... No
Type of Glass Door:	..... 3 glass panels, UV-filter
Number of adjustable shelves:	..... 0
Number of shelves:	..... 5
Interior ventilator:	..... Yes
Product name / Commercial code:	..... KUW21AHG0
Energy efficiency rating:	..... A
Capacity in 0.75l (bordeaux bottles):	..... 44
Climate class:	..... SN-ST
Noise level:	..... 38 dB(A) re 1 pW
Color / Material body:	..... Black
Door panel options:	..... Not possible
Installation typology:	..... Built-under
Noise level:	..... 38 dB(A) re 1 pW
Connection rating:	..... 60 W
Fuse protection:	..... 6 A
Voltage:	..... 220-240 V
Frequency:	..... 50-60 Hz
Plug type:	..... Gardy plug w/ earthing
Required cutout/niche size for installation (in):	..... x
Dimensions of the packed product:	..... 35.43 x 25.19 x 27.55
Net weight:	..... 91.000 lbs
Gross weight:	..... 110.000 lbs
Total unit gross capacity:	..... 120 l
Net weight:	..... 41.5 kg
Length electrical supply cord:	..... 230.0 cm



4 242005 196135

## **Series 6, Wine cooler with glass door, 82 x 60 cm KUW21AHG0**

---

### **Performance and consumption**

#### **Design and Styling**

- Built-in-/under-refrigerator 1-door
- Glass door

#### **Convenience & Safety**

- Optical and acoustic door open warning system
- Dynamic cooling via integrated fan

#### **Technical Information**

- Door right hinged, reversible

#### **Dimensions**

- Niche Dimension (H x W x D): 82.0 cm x 60.0 cm x 56.0 cm
- Dimensions ( H x W x D): 81.8 cm x 59.8 cm x 58.1 cm

#### **Country Specific Options**

- Based on the results of the standard 24-hour test. Actual consumption depends on usage/position of the appliance.

#### **Accessories**

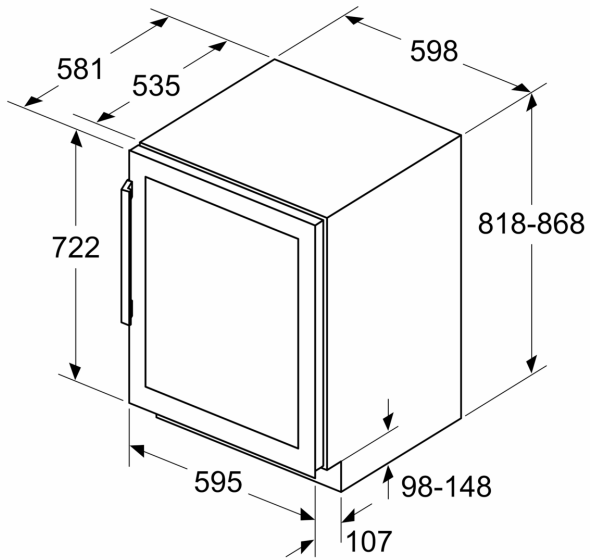
#### **General Information**

#### **Environment and Safety**

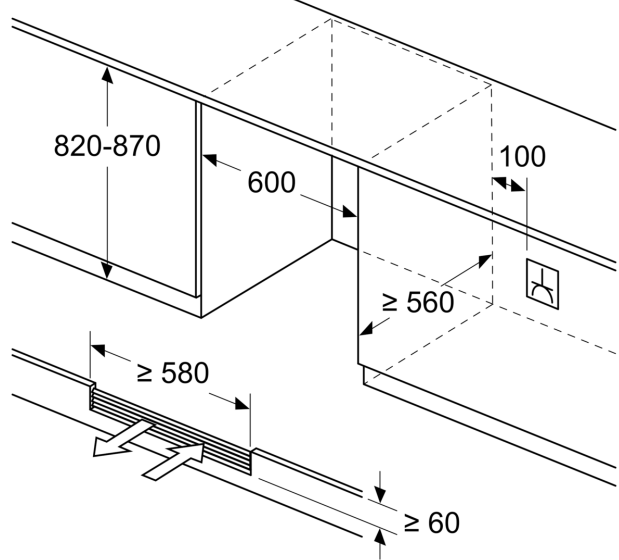
- EU19\_EEK\_D: G
- Total Volume : 120 l
- Net Fridge Volume : 120 l
- Net Freezer Volume : 0 l
- Annual Energy Consumption: 130 kWh/a
- Climate Class: SN-ST
- Noise Level : 38 dB

**Series 6, Wine cooler with glass door, 82 x 60 cm**  
**KUW21AHG0**

Measurements in mm



measurements in mm



measurements in mm

